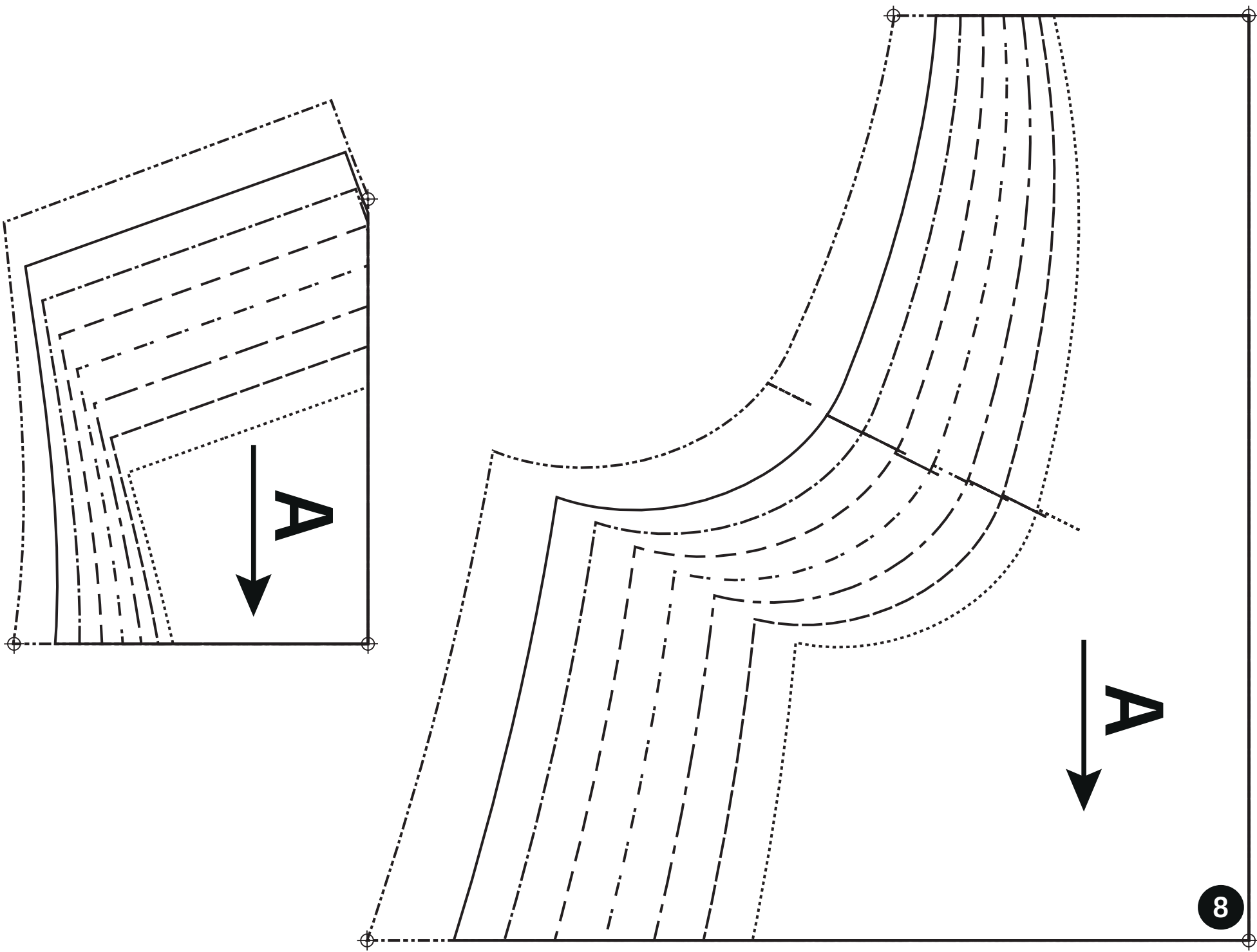
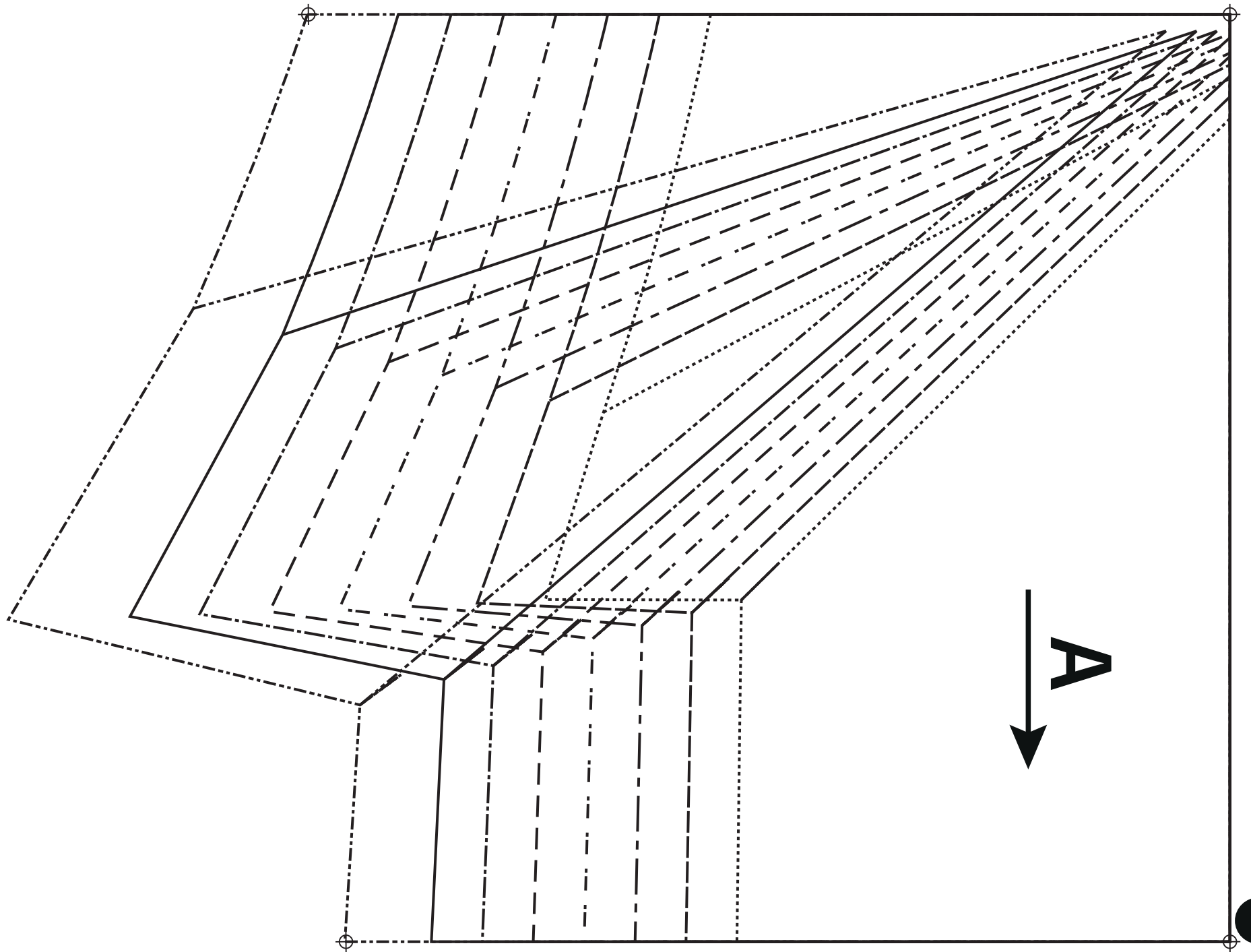


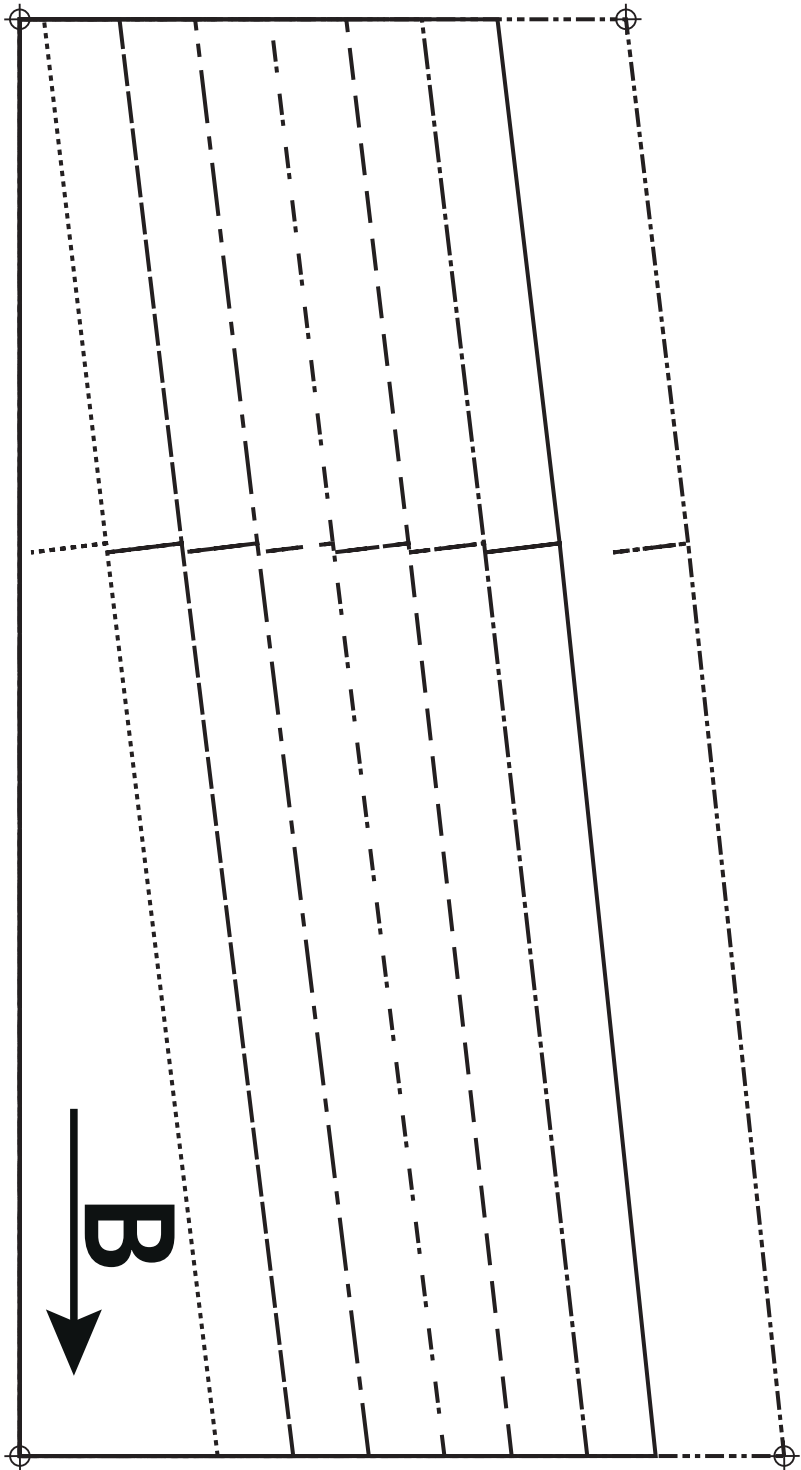
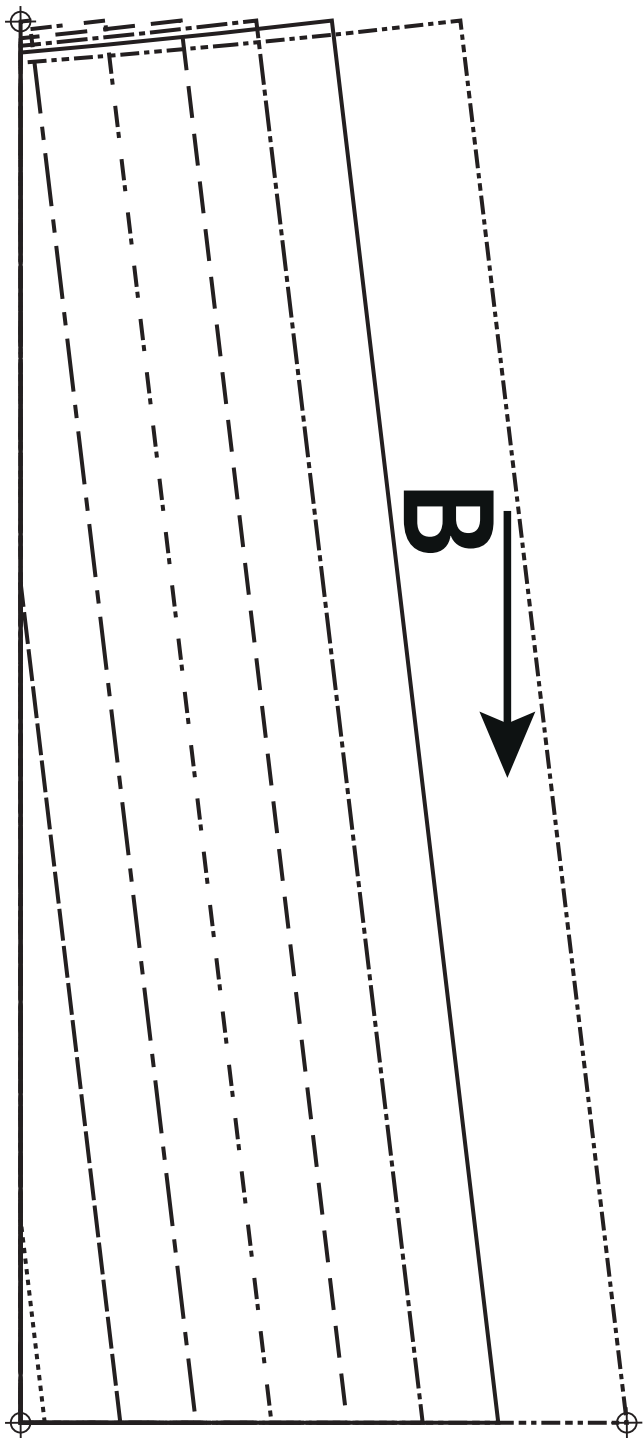
MV / MDV / CF / VM

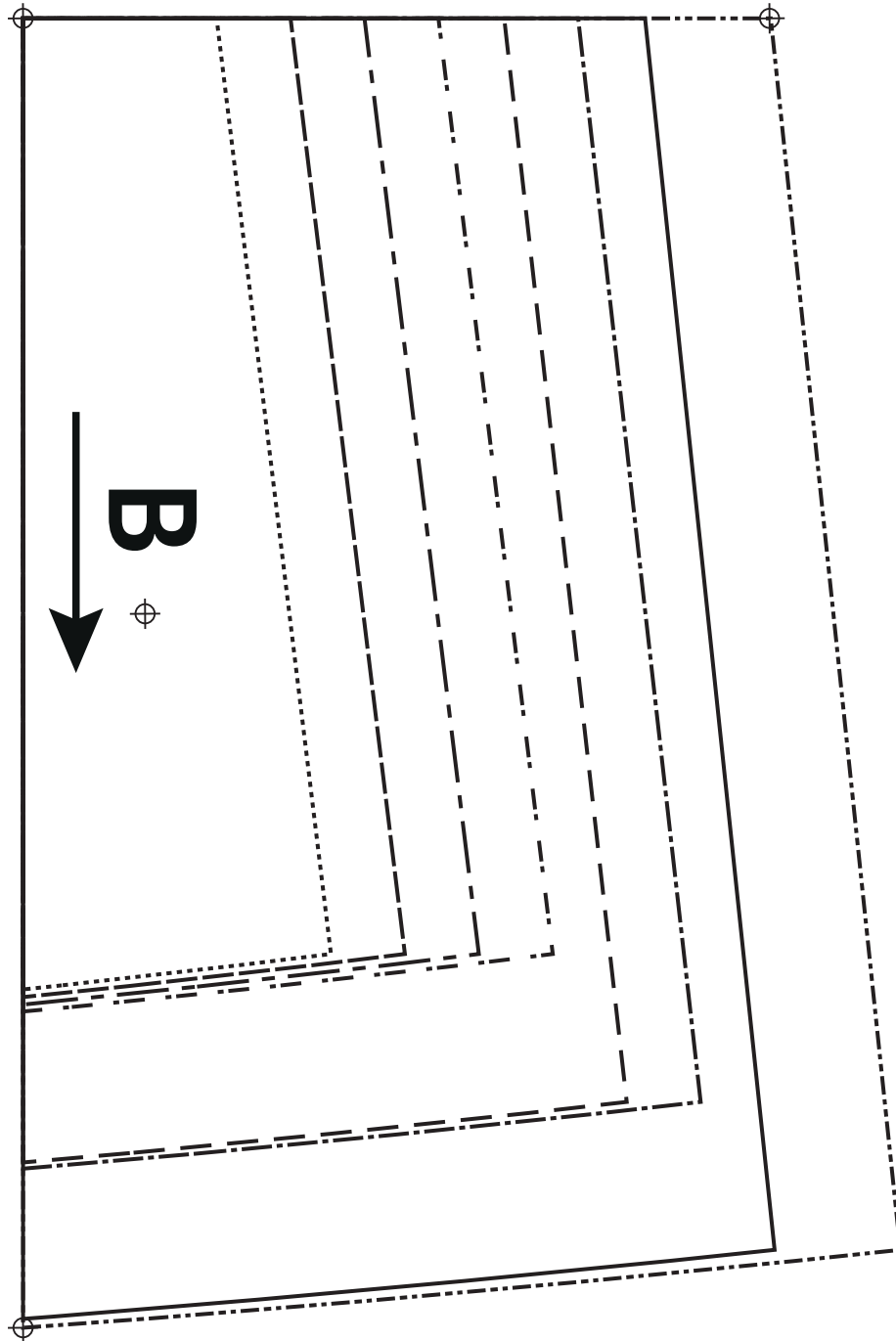
A

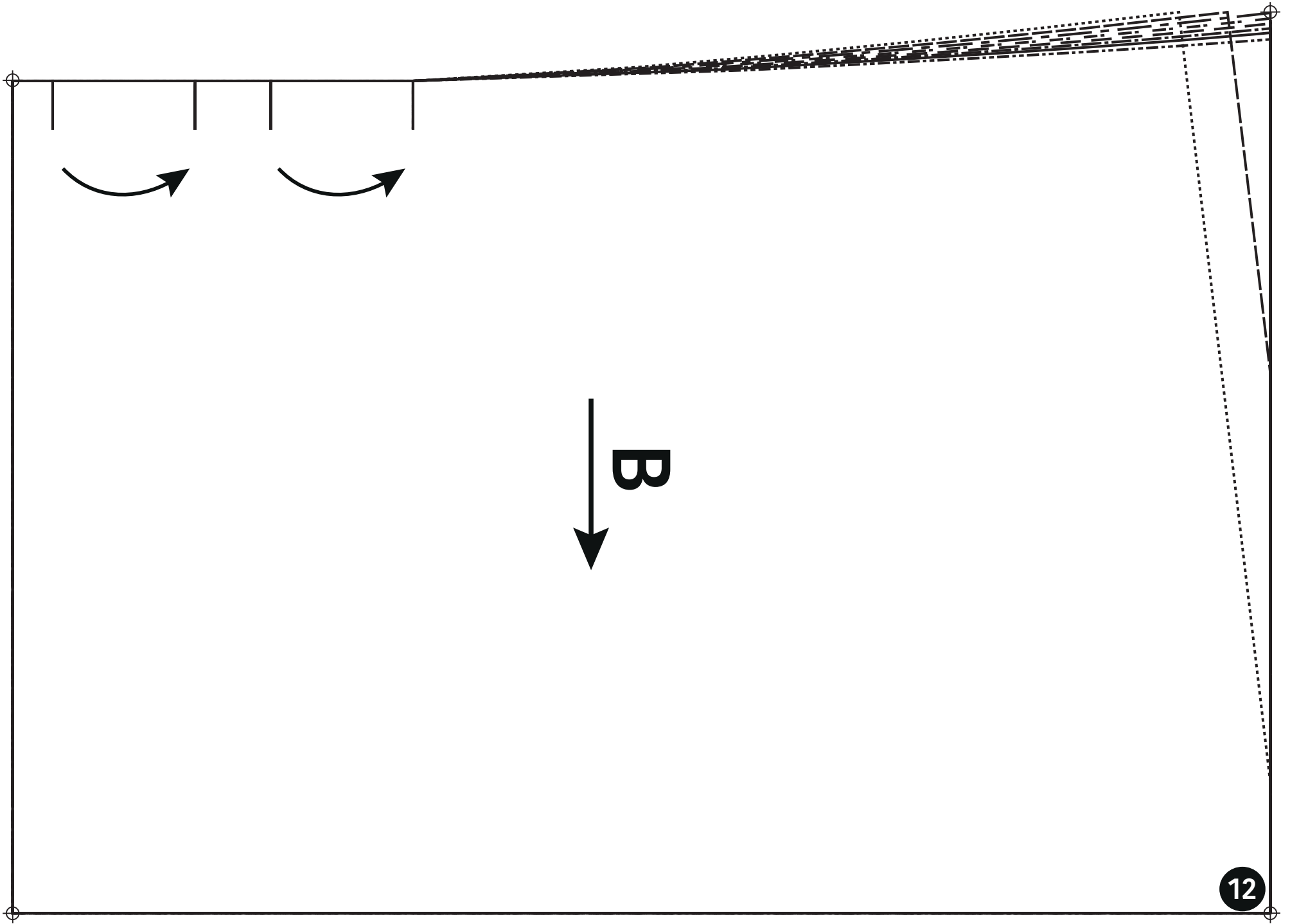
7

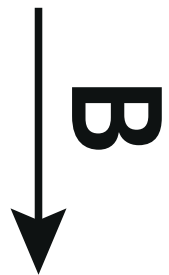





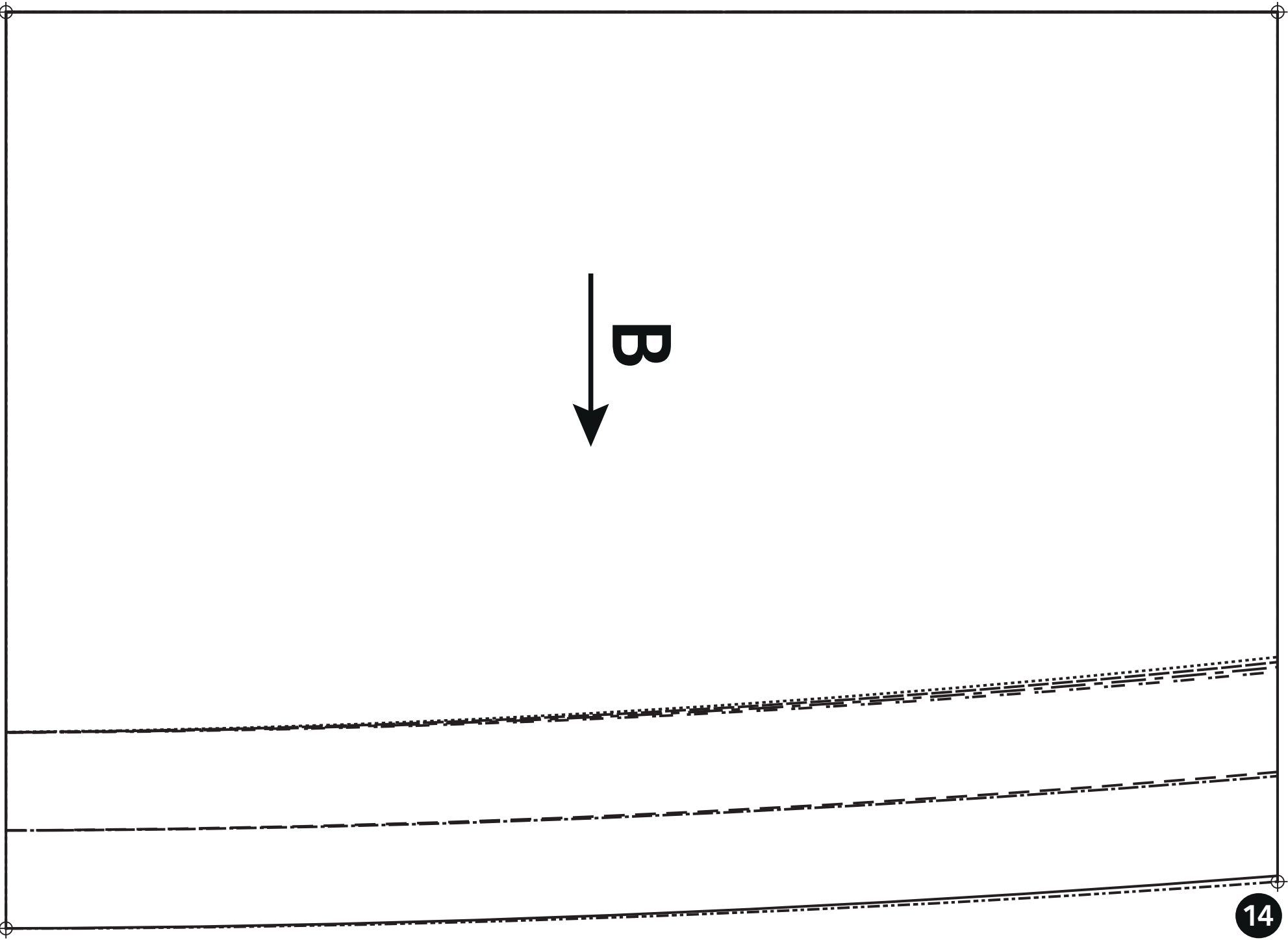


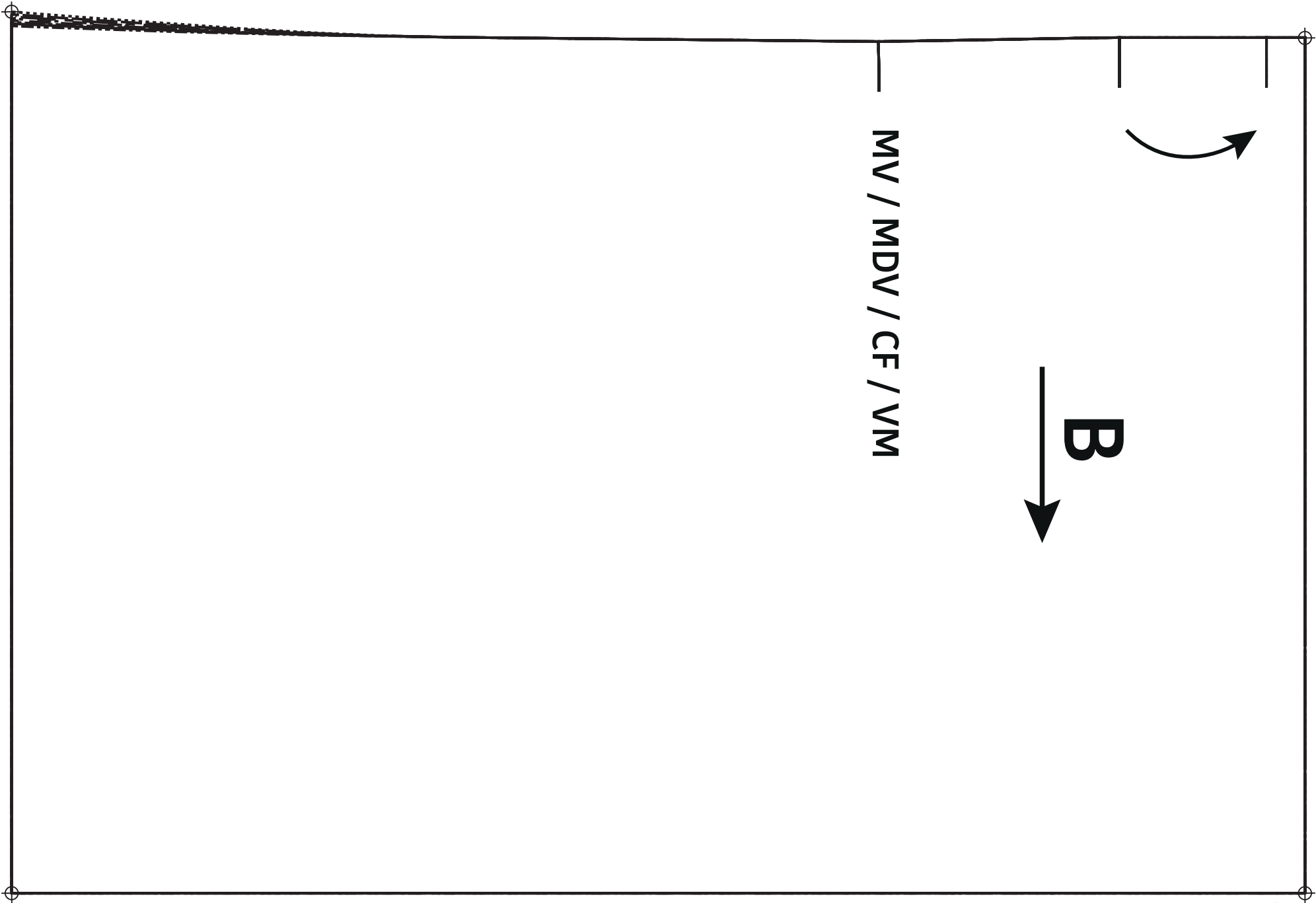






B

A thick black arrow pointing downwards, indicating a direction or force.





A diagram of a rectangular frame with a downward force B applied to the top edge. The frame is defined by a solid black line. Inside the frame, there are three horizontal lines: a solid line near the top, a dashed line in the middle, and a solid line near the bottom. All three internal lines are slightly curved downwards. A downward-pointing arrow labeled B is positioned in the upper right quadrant of the frame. The frame has small circles at each of its four corners.

