

Nyla

Broek / Pantalon /
Trousers

Maten / Tailles / Sizes:

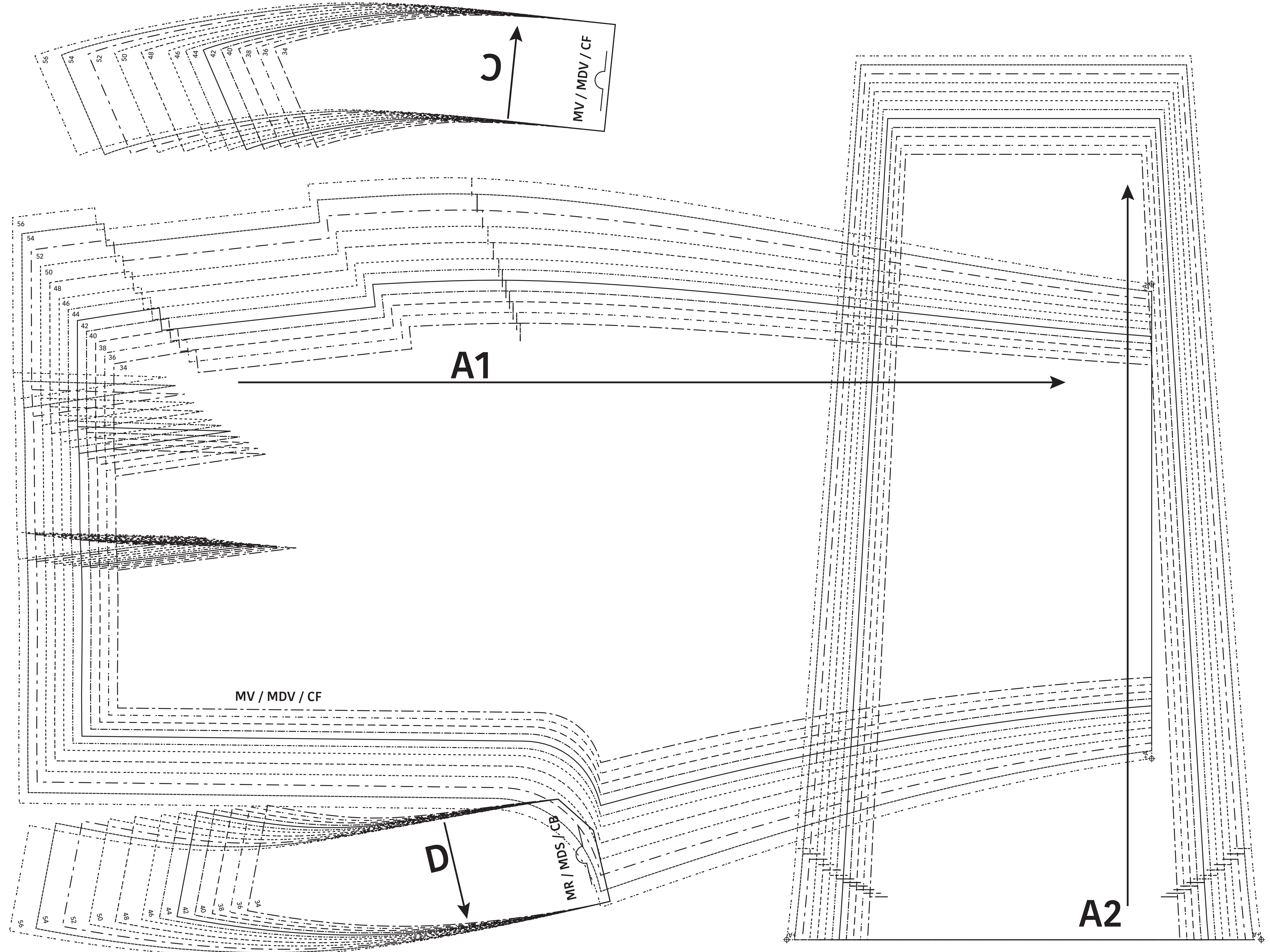
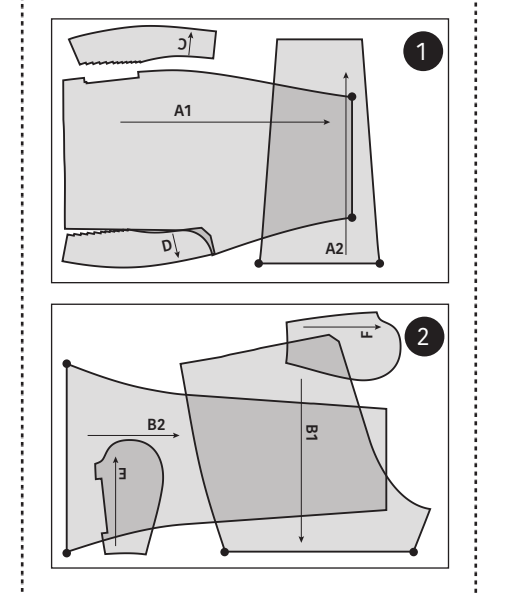
---	34
---	36
---	38
---	40
---	42
---	44
---	46
---	48
---	50
---	52
---	54
---	56

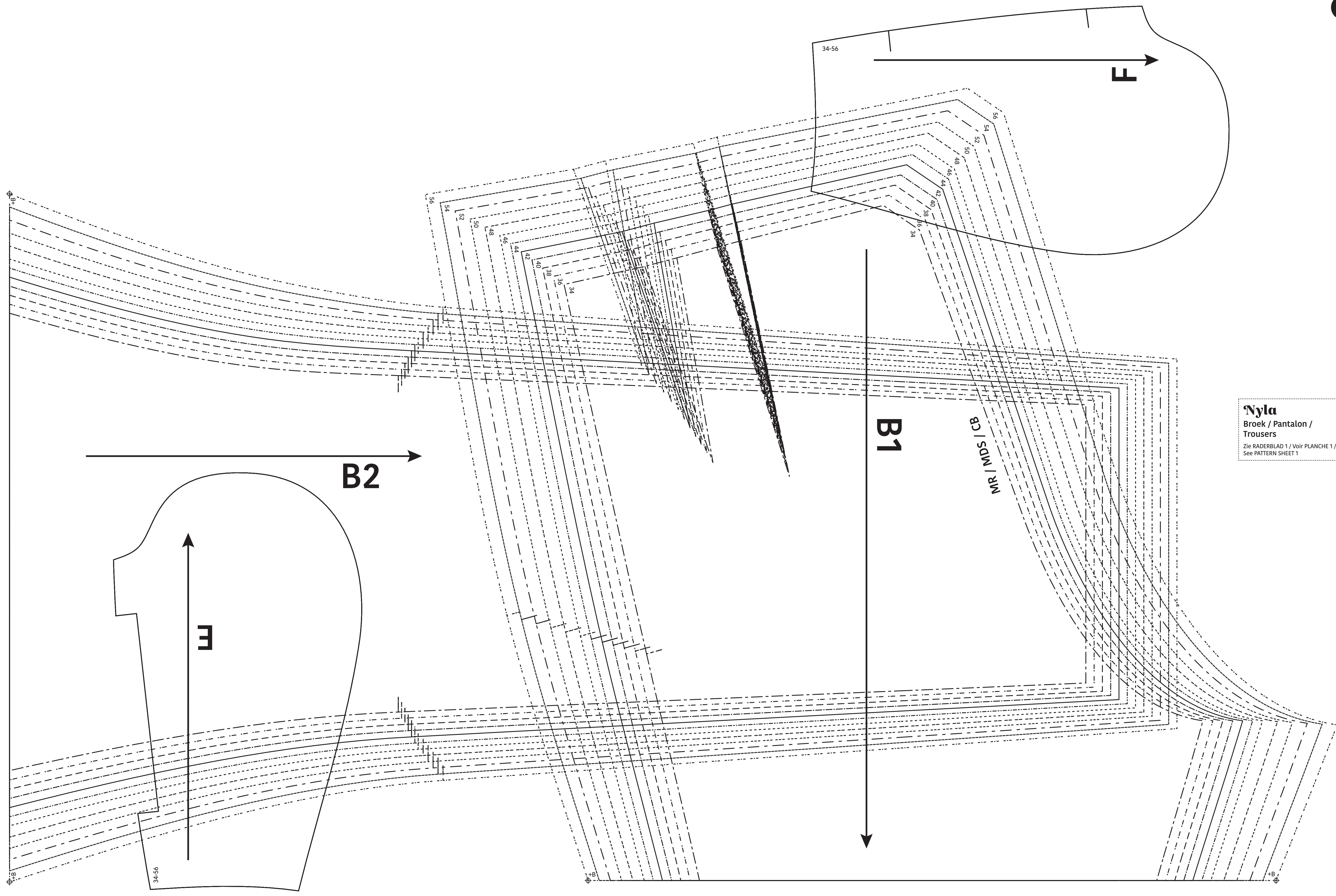
- Patroondelen / Pièces du patron /
Pattern pieces:
- A voorpand / devant / front panel
 - B ruggand / dos / back panel
 - C beleg VP / parementure DV / facing FP
 - D beleg RP / parementure DS / facing SP
 - E zak VP / poche DV / pocket FP
 - F tegenzak VP / contre-poche DV / inner pocket bag FP

LET OP! De patroondelen bevinden zich op verschillende raderbladen.

ATTENTION! Les pièces du patron sont réparties sur plusieurs planches.

IMPORTANT! The pattern pieces are located on different pattern sheets.





Nyla
 Broek / Pantalon /
 Trousers
 Zie RADERBLAD 1 / Voir PLANCHE 1 /
 See PATTERN SHEET 1