

Bali

Jurk / Robe / Dress

Maten / Tailles / Sizes:

---	34
---	36
---	38
---	40
---	42
---	44
---	46
---	48
---	50
---	52
---	54
---	56

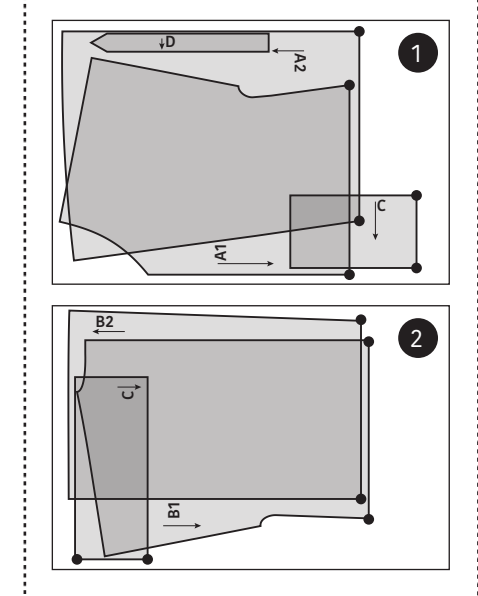
Patroondelen / Pièces du patron / Pattern pieces:

- A voorpand / devant / front panel
- B ruggand / dos / back panel
- C mouw / manche / sleeve
- D halsboord / bord encolure / collar

LET OP! De patroondelen bevinden zich op verschillende raderbladen.

ATTENTION! Les pièces du patron sont réparties sur plusieurs planches.

IMPORTANT! The pattern pieces are located on different pattern sheets.



MV / MDV / CF

MR / MDS / CB

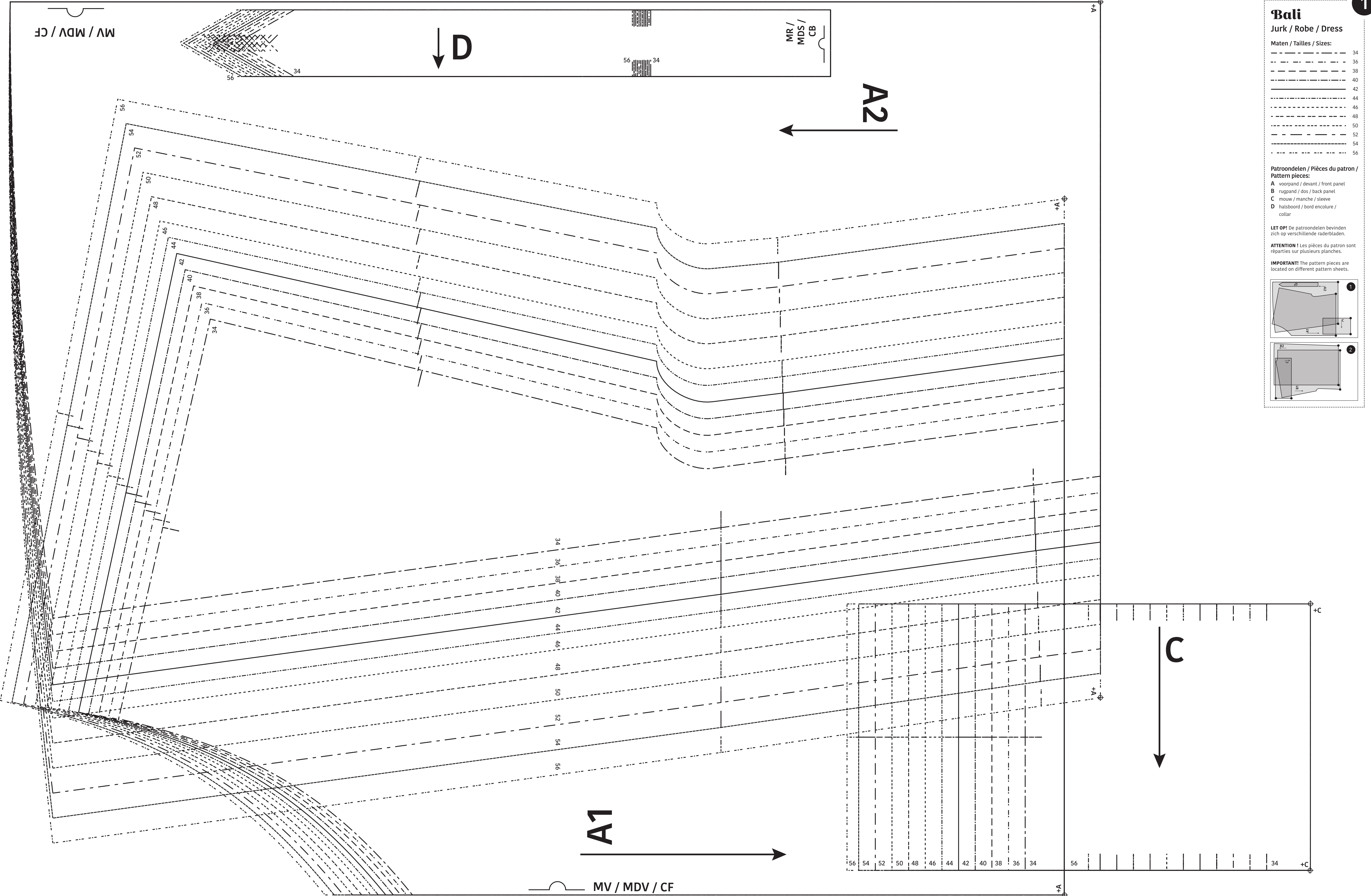
D

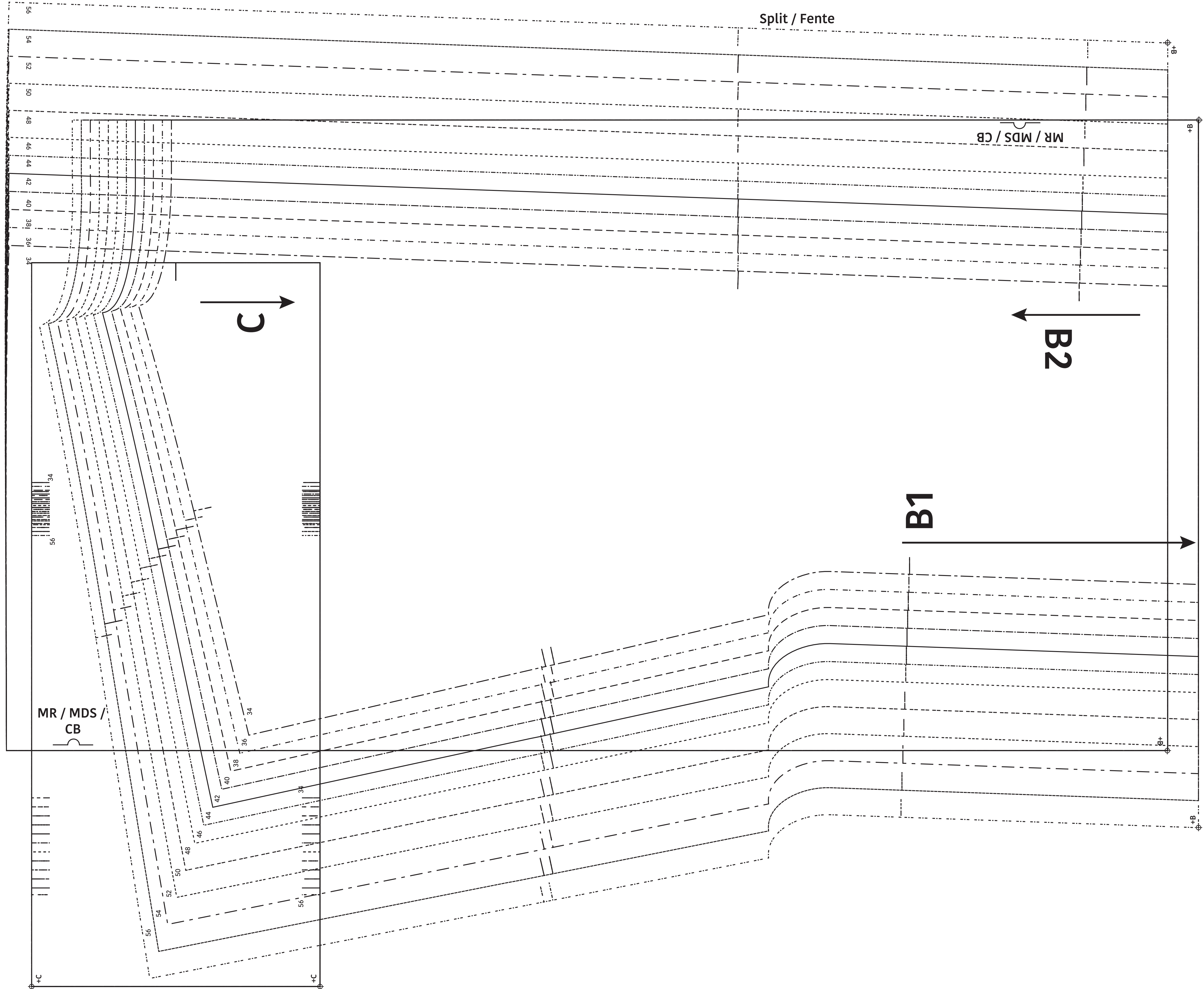
A2

A1

C

MV / MDV / CF





Bali
 Jurk / Robe / Dress
 Zie RADERBLAD 1 / Voir PLANCHE 1 /
 See PATTERN SHEET 1