

Cato

Broek / Pantalon /
Trousers

Maten / Tailles / Sizes:

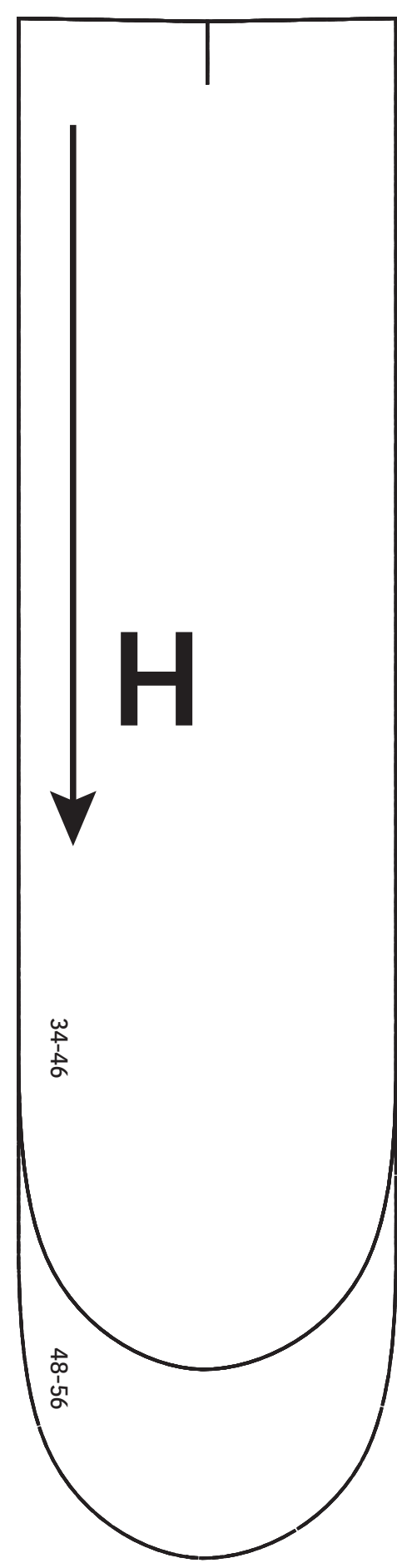
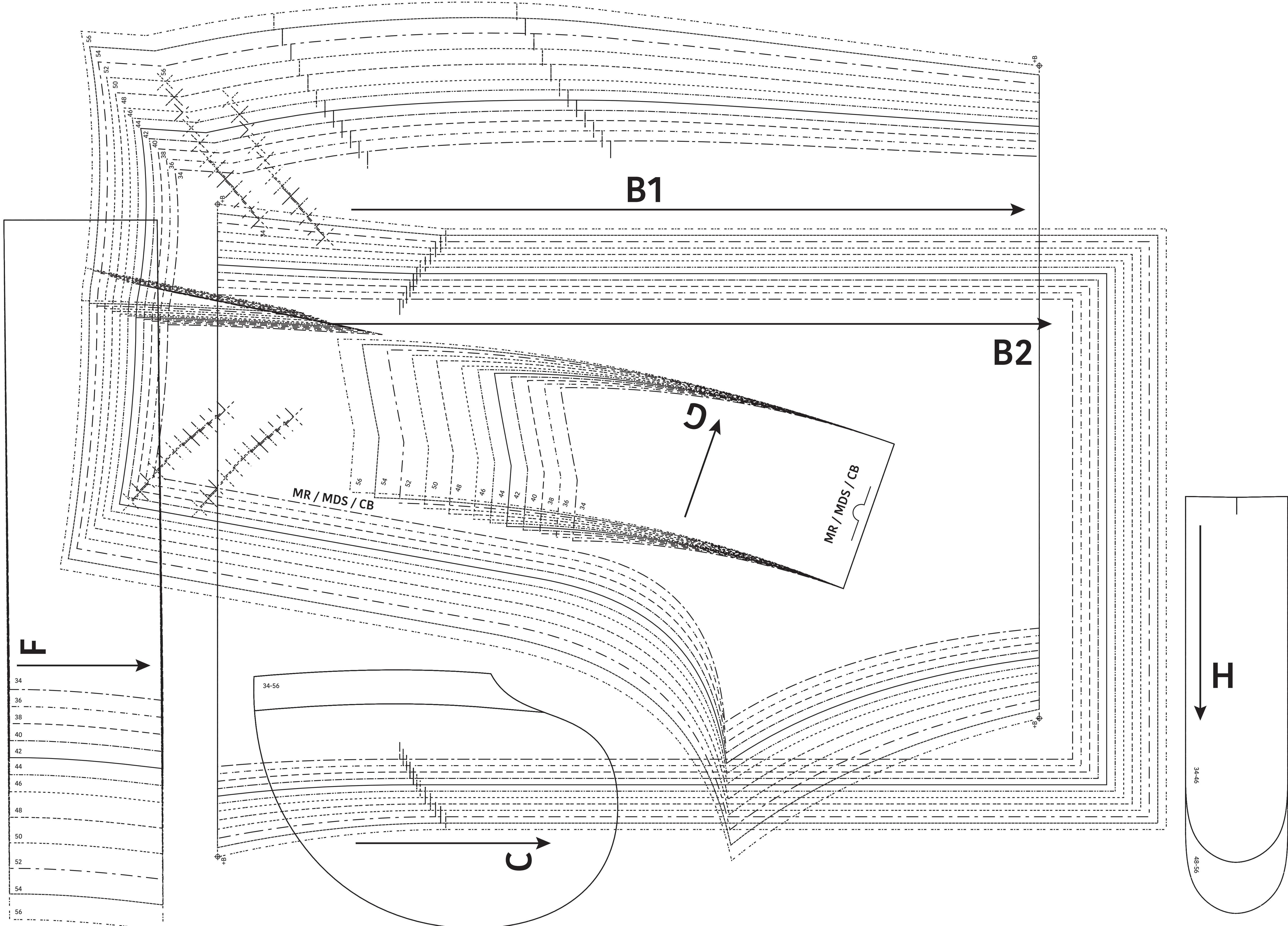
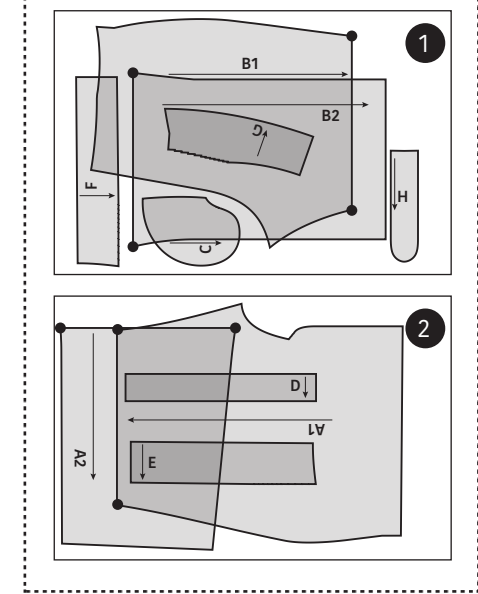
---	34
---	36
---	38
---	40
---	42
---	44
---	46
---	48
---	50
---	52
---	54
---	56

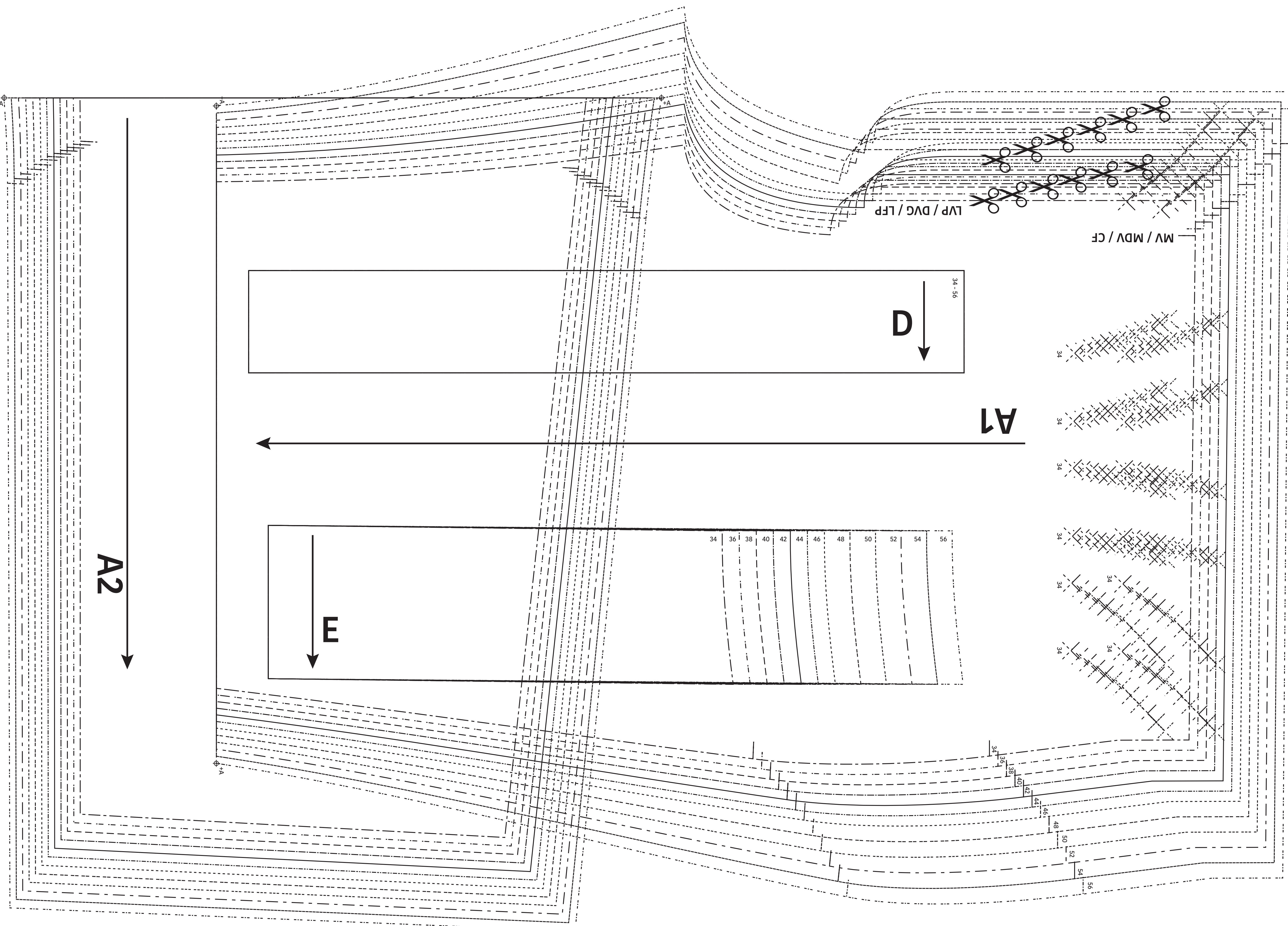
- Patroondelen / Pièces du patron /
Pattern pieces:
- A voorpand / devant / front panel
 - B rugpand / dos / back panel
 - C zak / poche / pocket
 - D riemlusen / passants / belt loops
 - E beleg RVP / parementure DVD / front right facing
 - F beleg LVP / parementure DVG / front left facing
 - G beleg RP / parementure DS / back facing
 - H gulsstuk / braguette / fly

LET OP! De patroondelen bevinden zich op verschillende raderbladen.

ATTENTION! Les pièces du patron sont réparties sur plusieurs planches.

IMPORTANT! The pattern pieces are located on different pattern sheets.





Cato
 Broek / Pantalon /
 Trousers
 Zie RADERBLAD 1 / Voir PLANCHE 1 /
 See PATTERN SHEET 1