

Fleur

Playsuit / Combishort

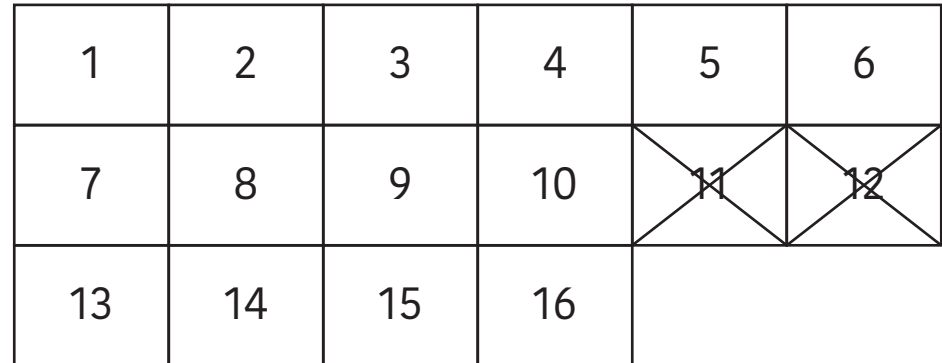
Maten / Tailles / Sizes / Größen:

.....	92
-----	98
- - - - -	104
- . - . -	110
- - - - -	116
- . - . -	122 / 128
—————	134 / 140
.....	146 / 152
- - - - -	158 / 164
- . - . -	170 / 176

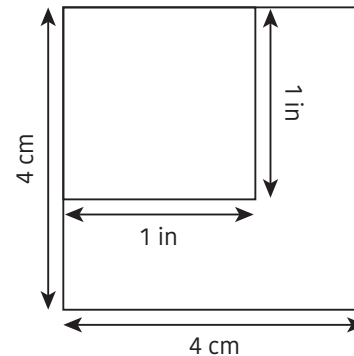
Patroondelen / Pièces du patron / Pattern pieces / Schnittteile:

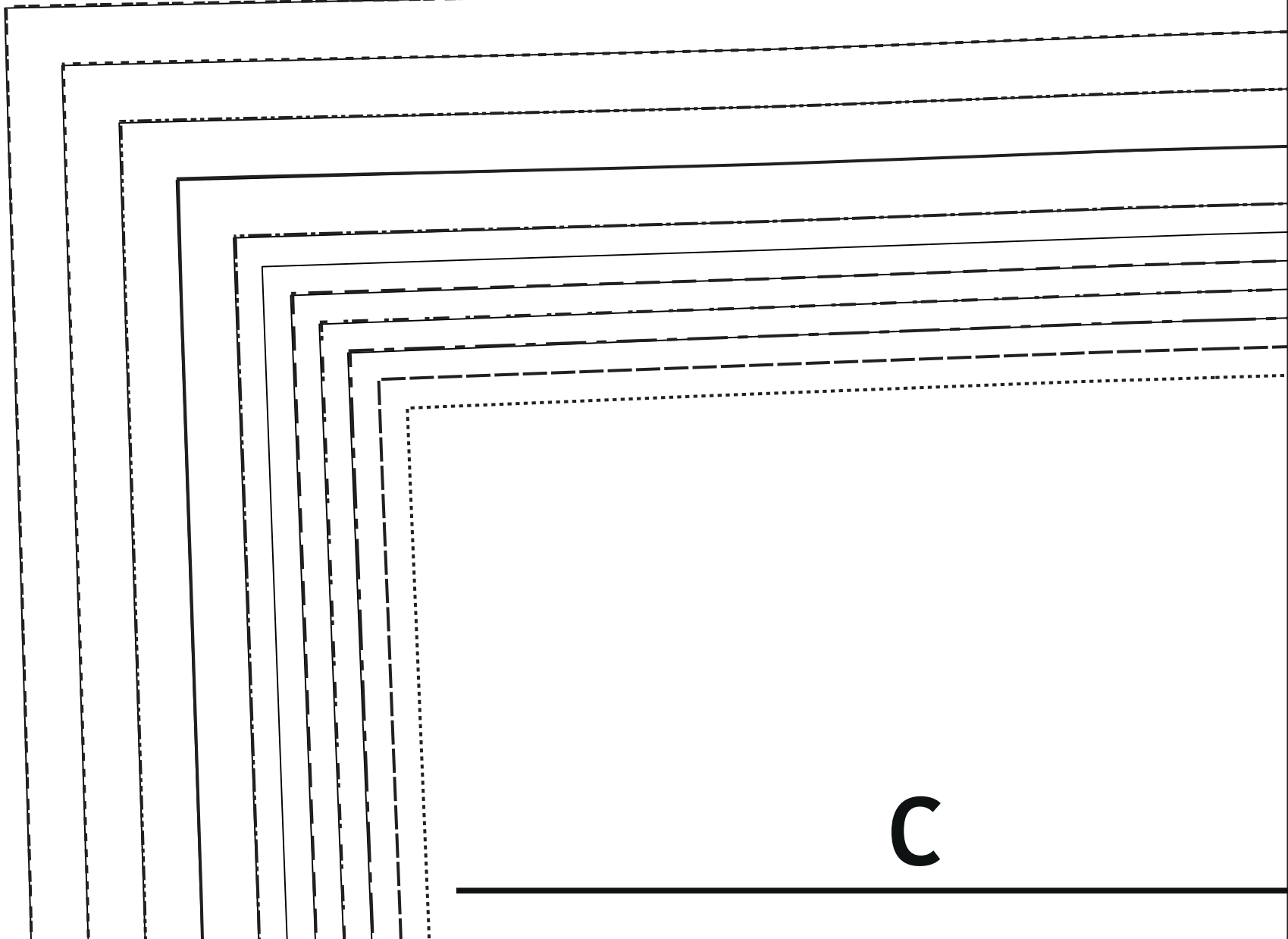
- A** bovenpand / haut / top / Oberteil
- B** tailleband / ceinture / waistband /
Bund
- C** voorpand broek / devant pantalon /
shorts FP / Vorderteil Hose
- D** rugpand broek / shorts BP /
dos pantalon / Rückenteil Hose
- E** ruche / volant / ruffle / Rüsche

Patroonschema / Schéma du Patron / Pattern Diagram / Übersichtsplan zum Zusammenkleben



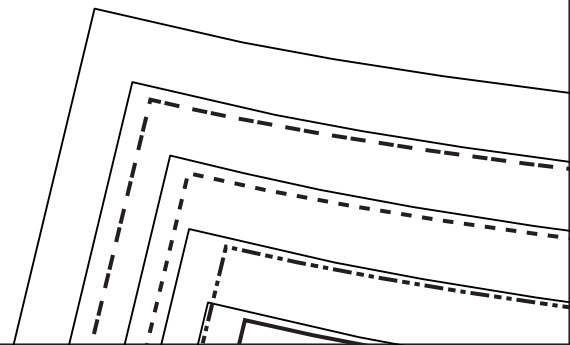
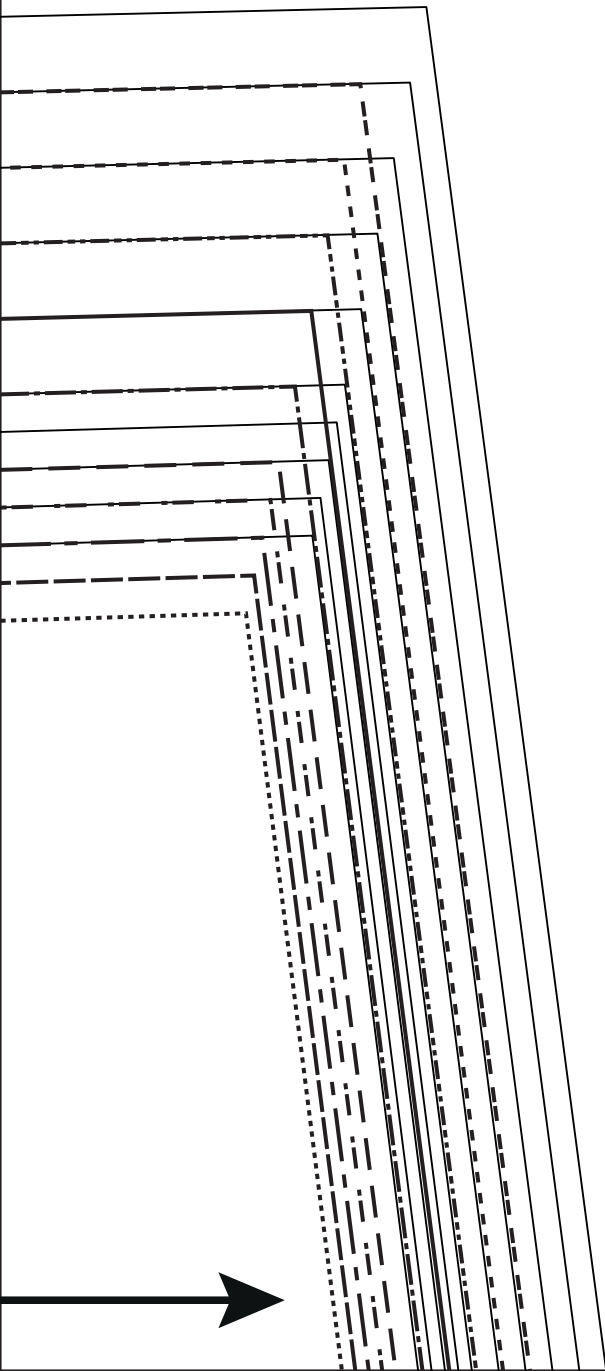
Controlevierkant / Carré de controle / Test square / Kontrollquadrat






C

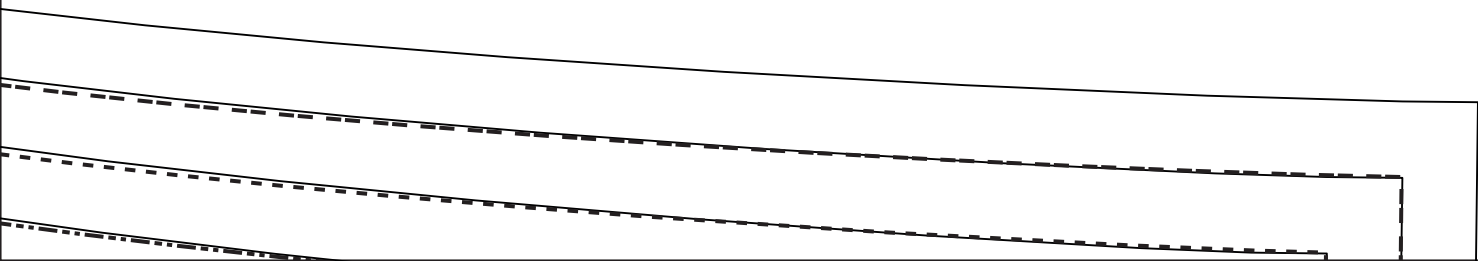




4



M/M/DV/CF/MM

M/M



ZN/CC/SS/SN

ZN/CC/SS/SN

ZN/CC/SS/SN

ZN/CC/SS/SN

ZN/CC/SS/SN

NS/CC/SS/SN

ZN/CC/SS/SN

ZN/CC/SS/SN

NS/CC/SS/SN

ZN/CC/SS/SN

B
↓

6

MR/MDS/CB/RM

MR/MDS/CB/RM

MR/MDS/CB/RM

MR/MDS/CB/RM

MR/MDS/CB/RM

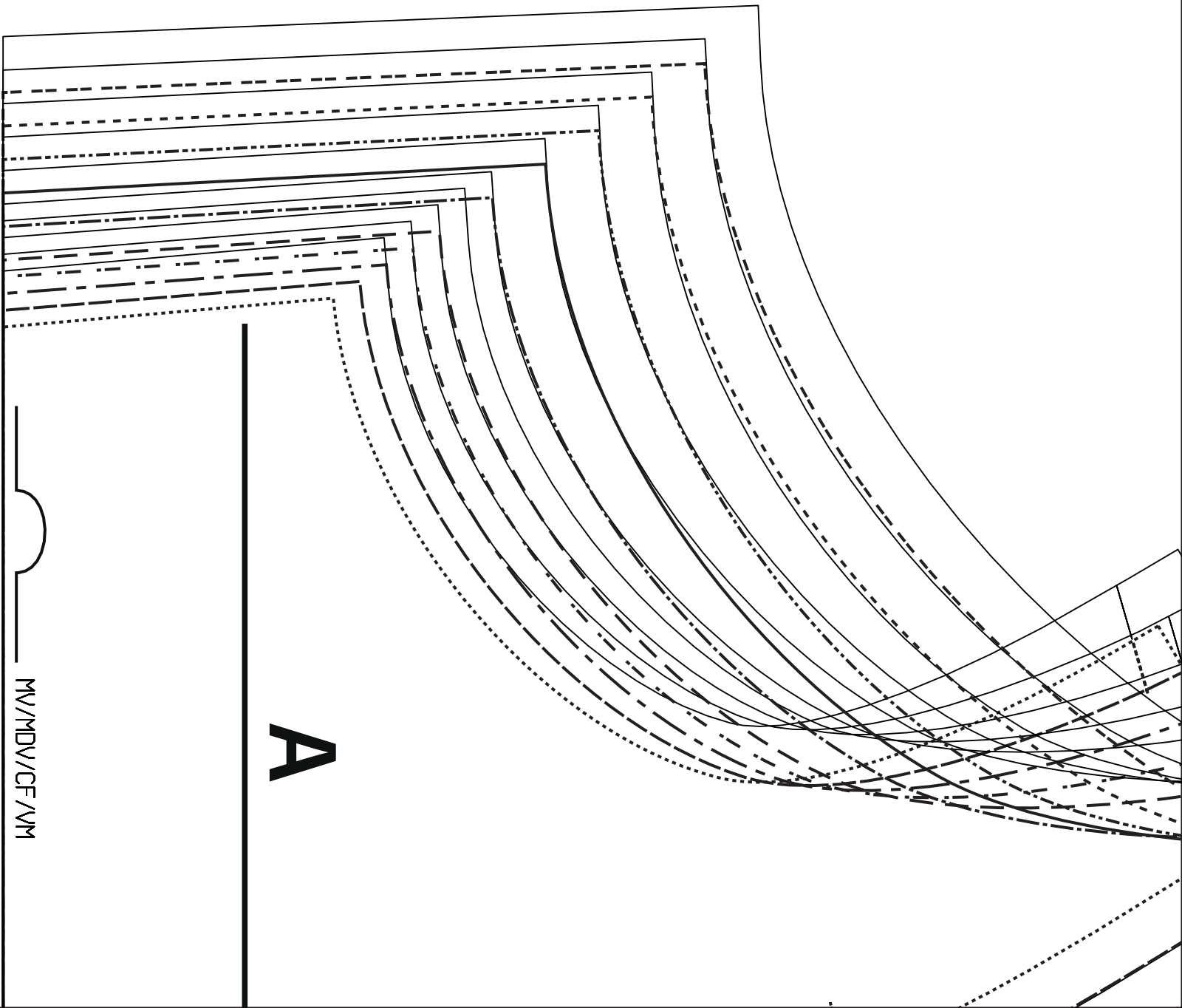
MR/MDS/CB/RM

MR/MDS/CB/RM

MR/MDS/CB/RM

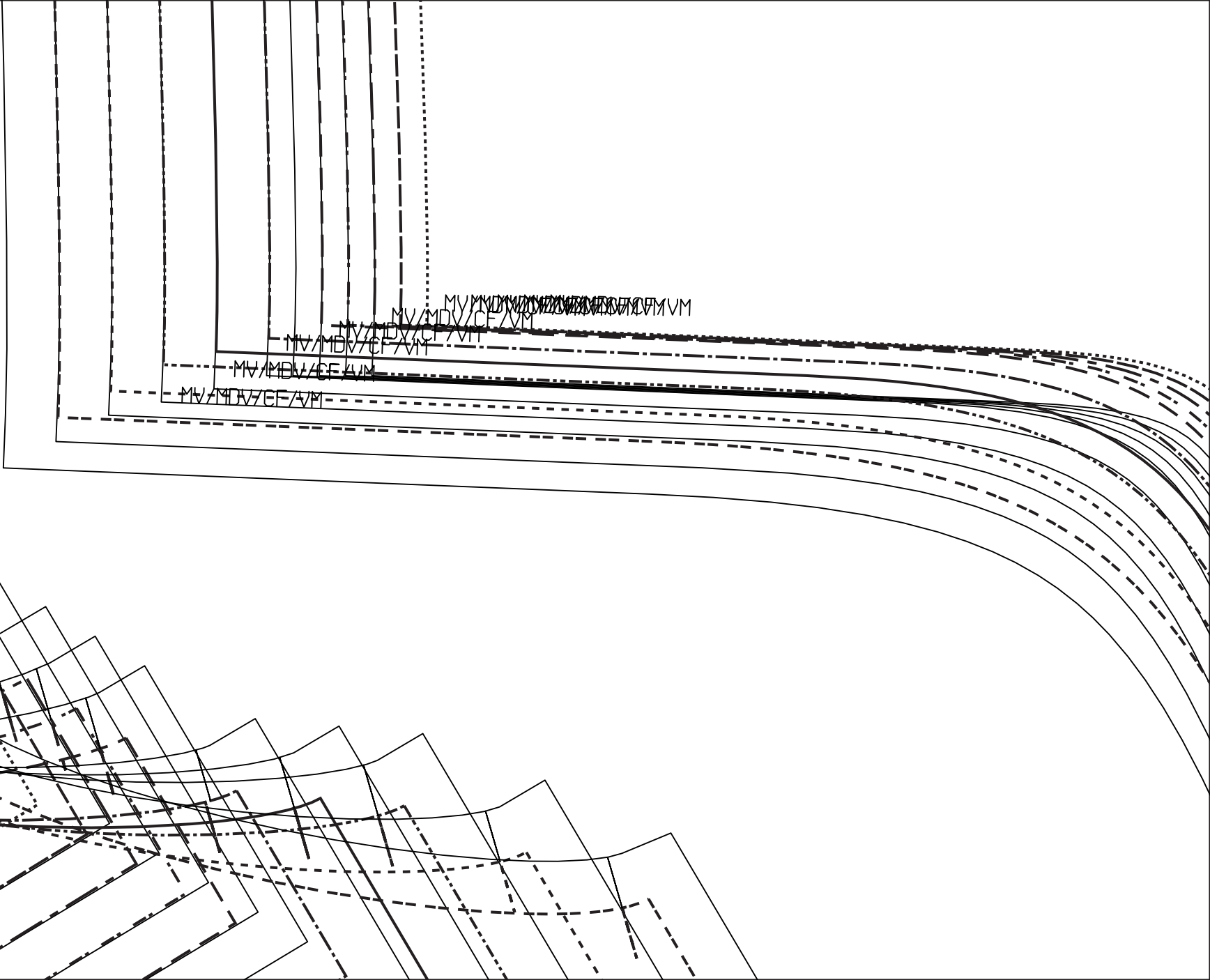
MR/MDS/CB/RM

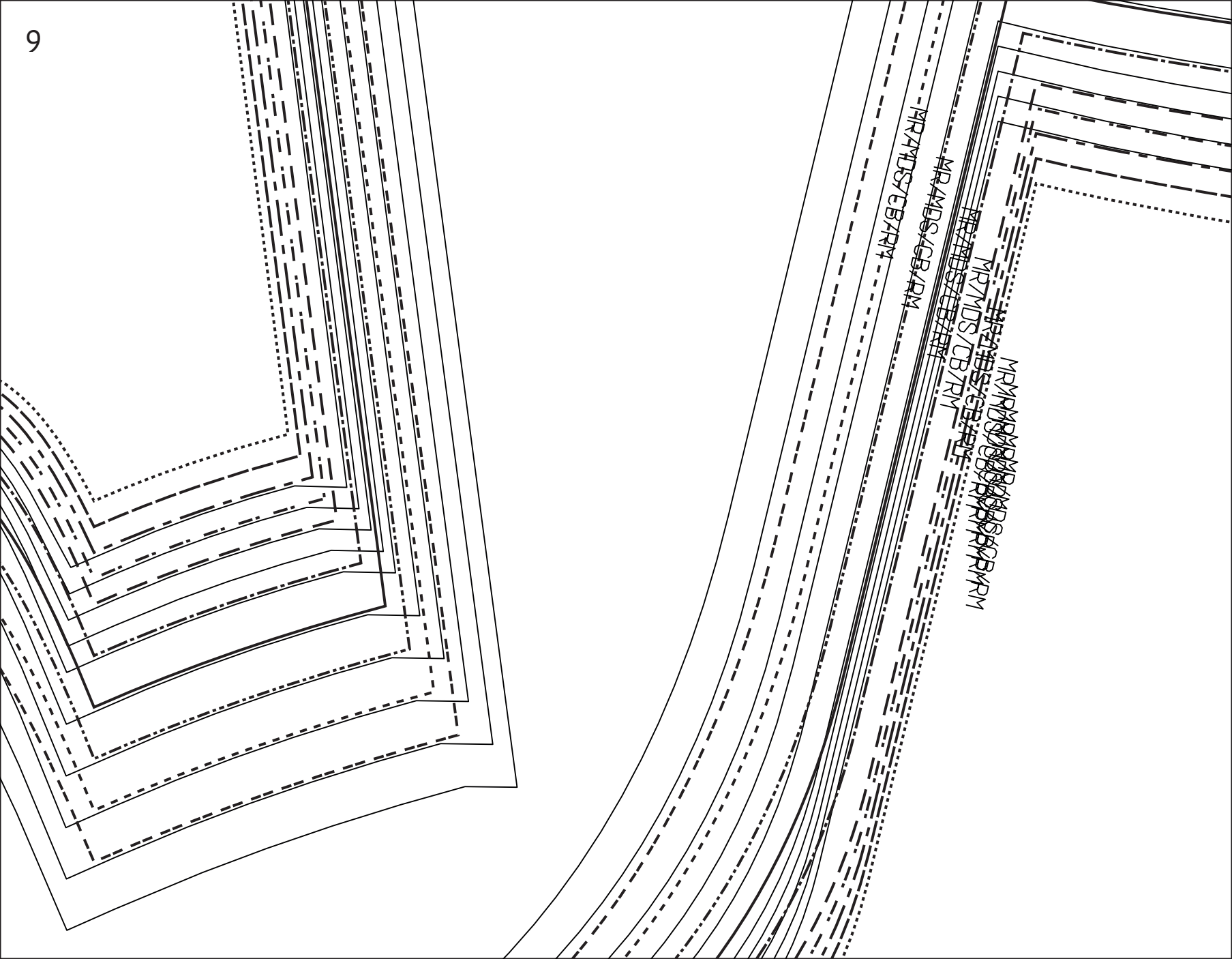
MR/MDS/CB/RM



M/M/DV/CF/VM

A





D

