

Otto

T-shirt

Maten / Tailles / Sizes / Größen:

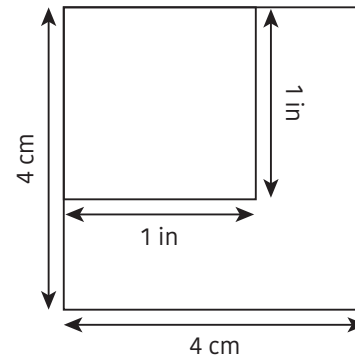
.....	XXS
-----	XS
-----	S
- - - - -	M
- - - - -	L
- - - - -	XL
=====	XXL
-----	XXXL

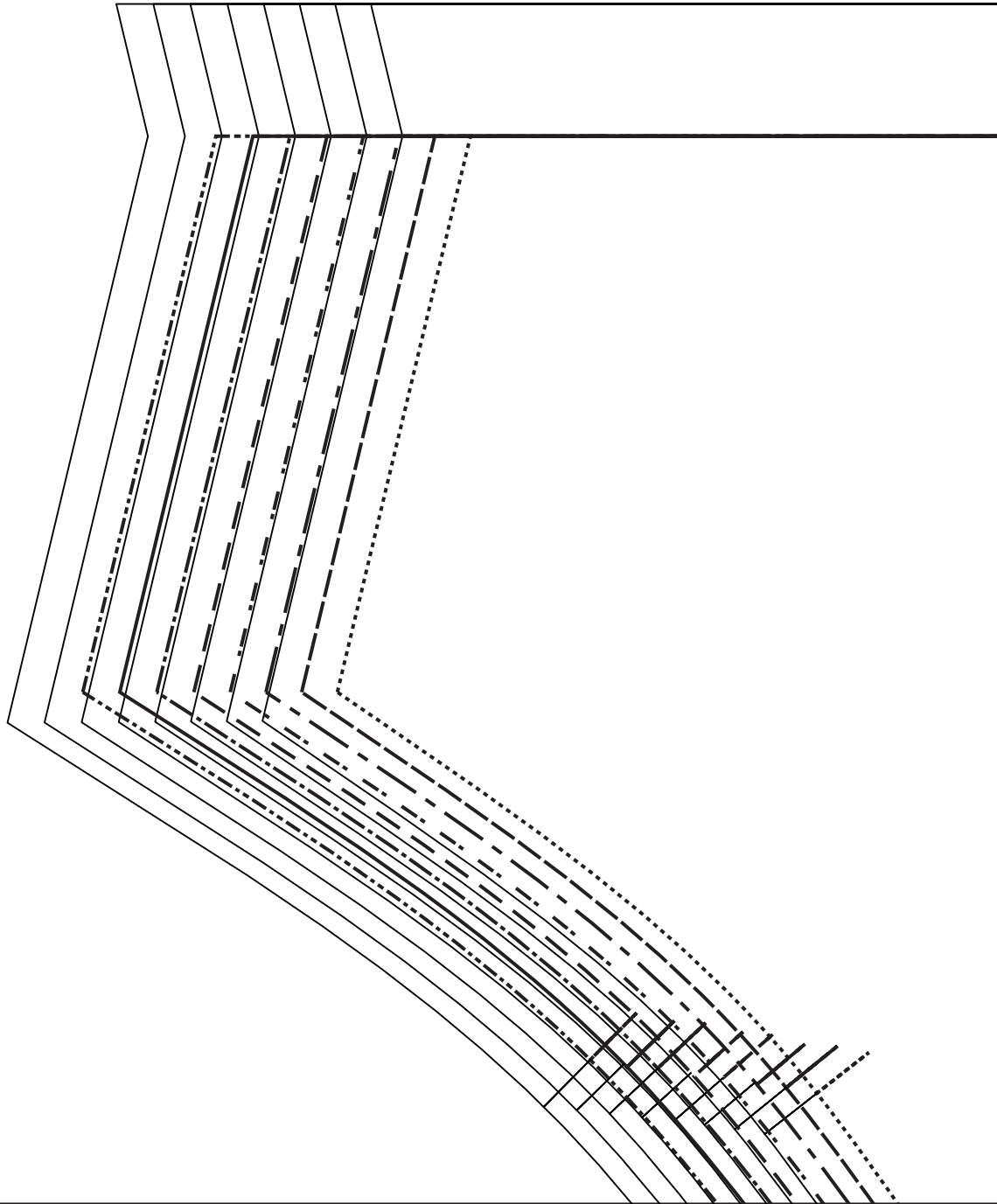
Patroondelen / Pièces du patron / Pattern pieces / Schnittteile:

- A** voorpand / devant / front panel /
Vorderteil
- B** rugpand / dos / back panel /
Rückenteil
- C** mouw / manche / sleeve / Ärmel
- D** halsboord / bord encolure / collar /
Besatz VT

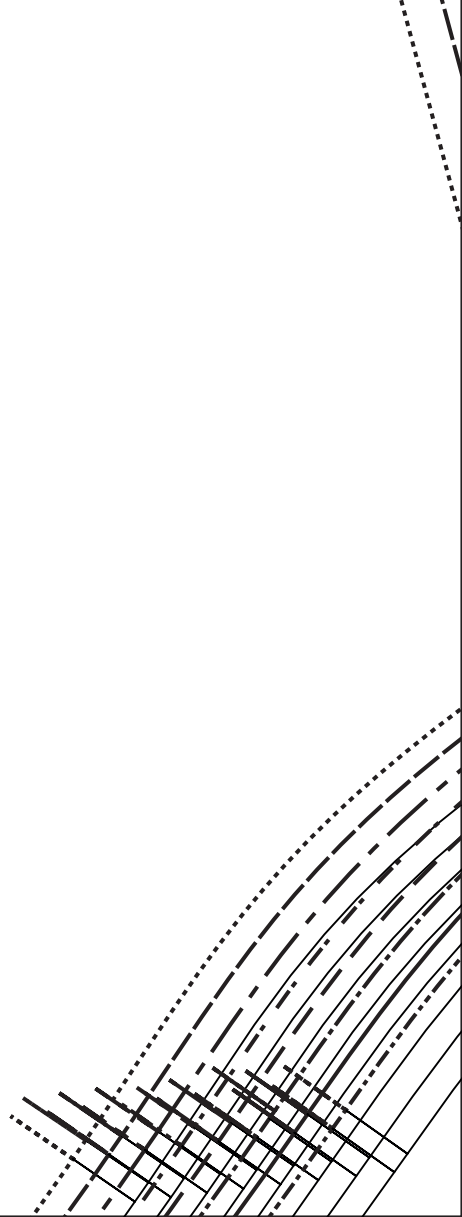
1	2	3	4	5	6
7	8	9	10	11	12
13	14	15	16	17	18
19	20	21	22	23	24
25	26	27	28	29	30
31	32	33	34		

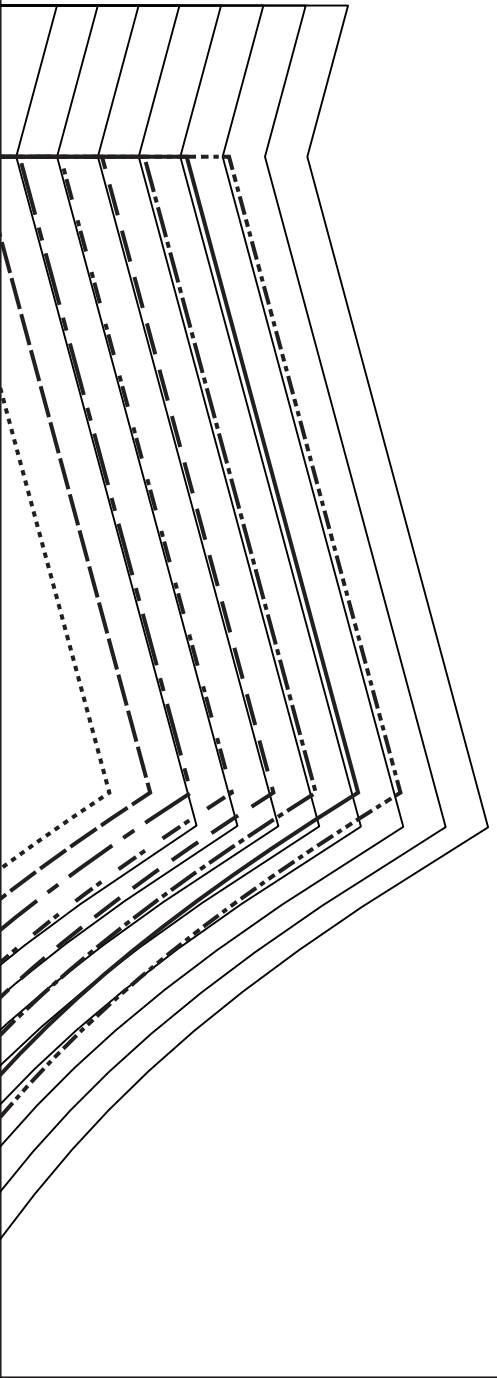
Controlevierkant / Carré de controle
/ Test square / Kontrollquadrat

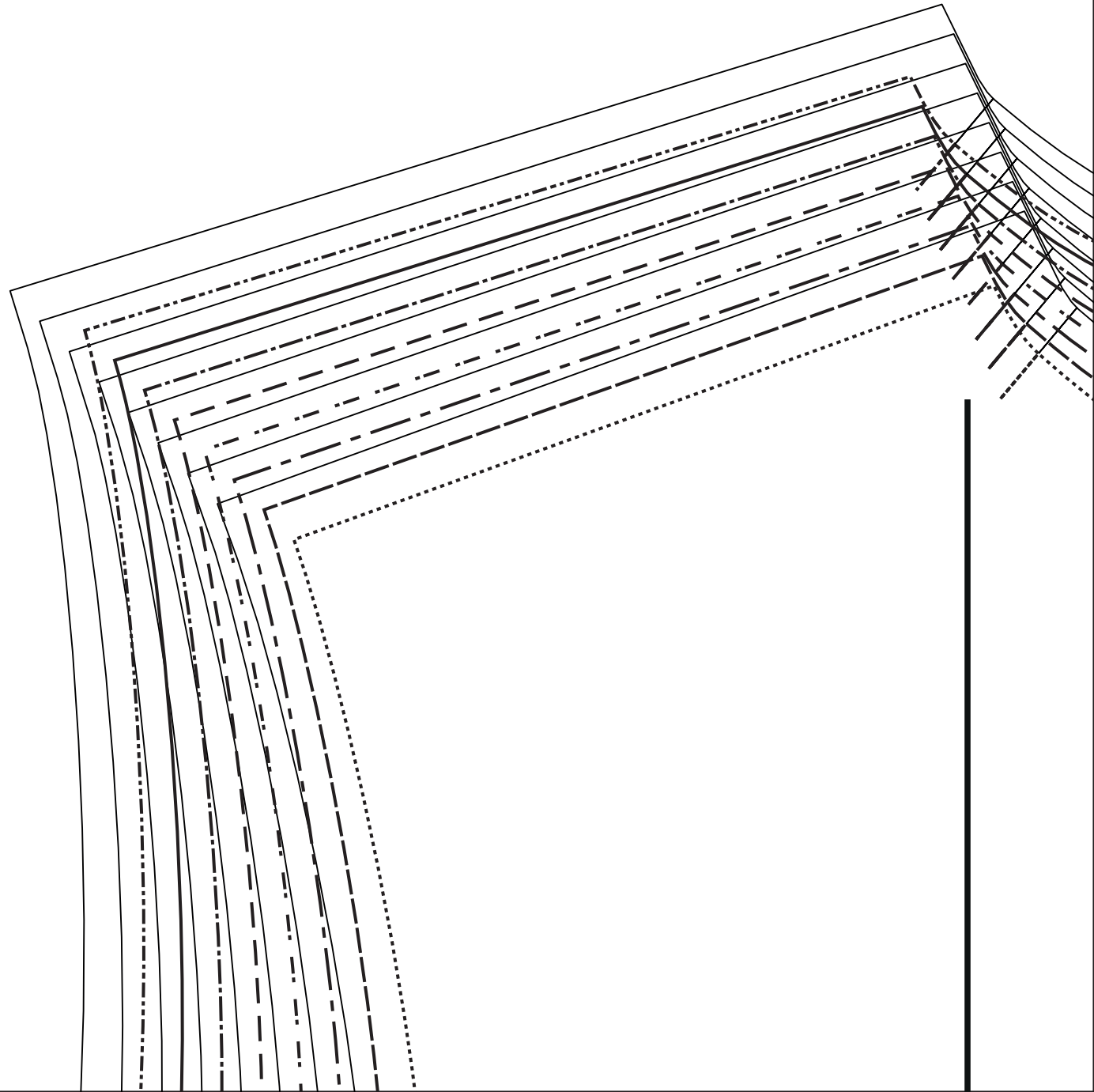


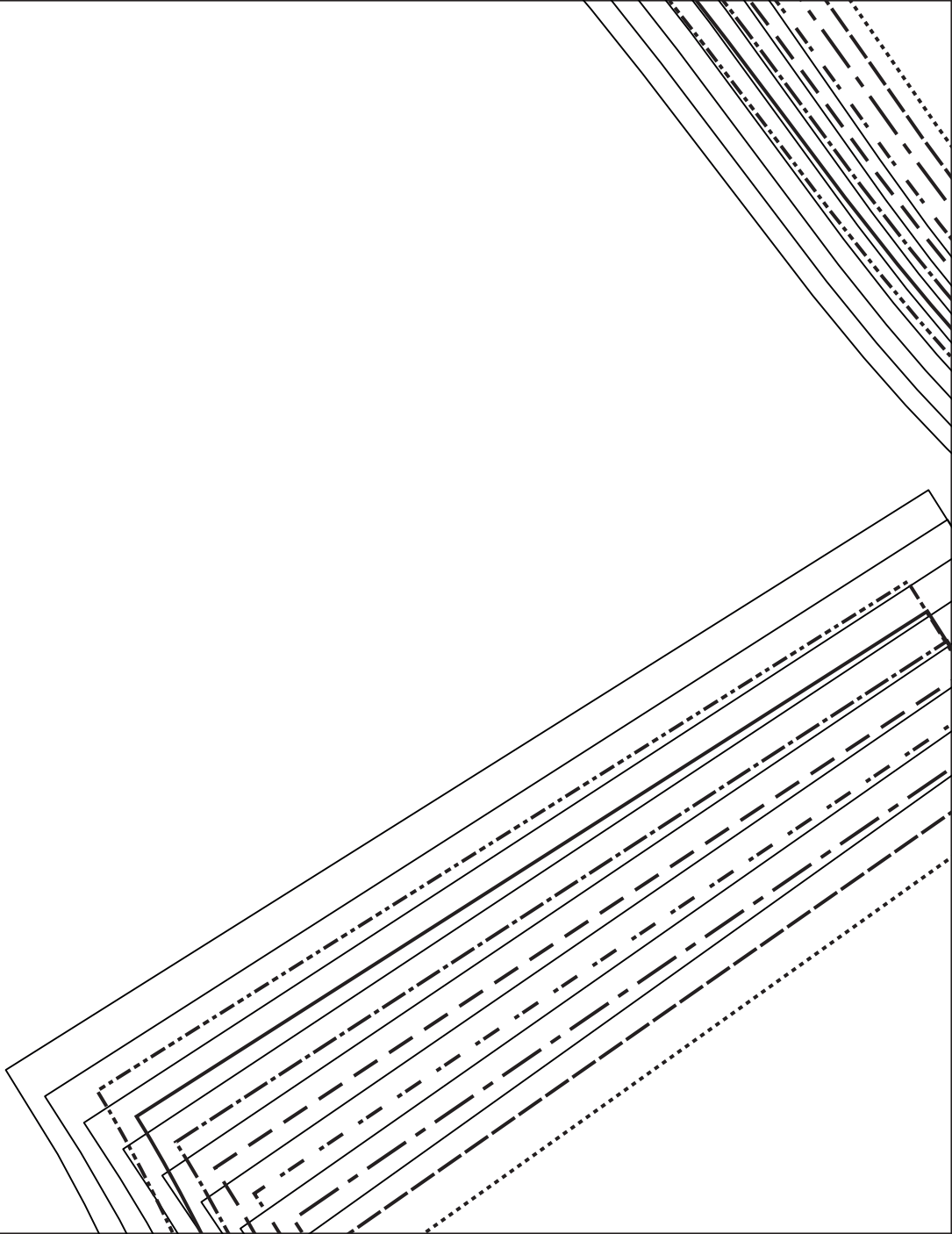
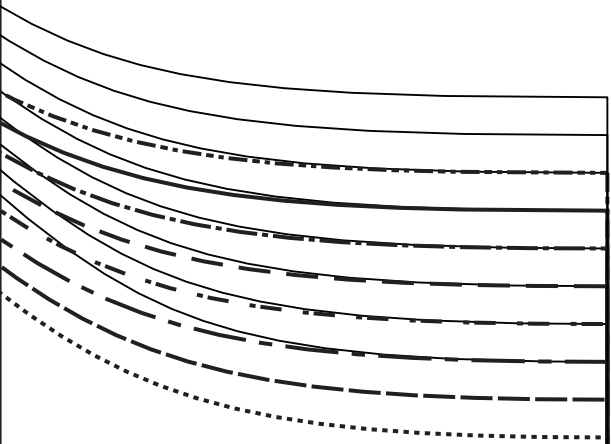


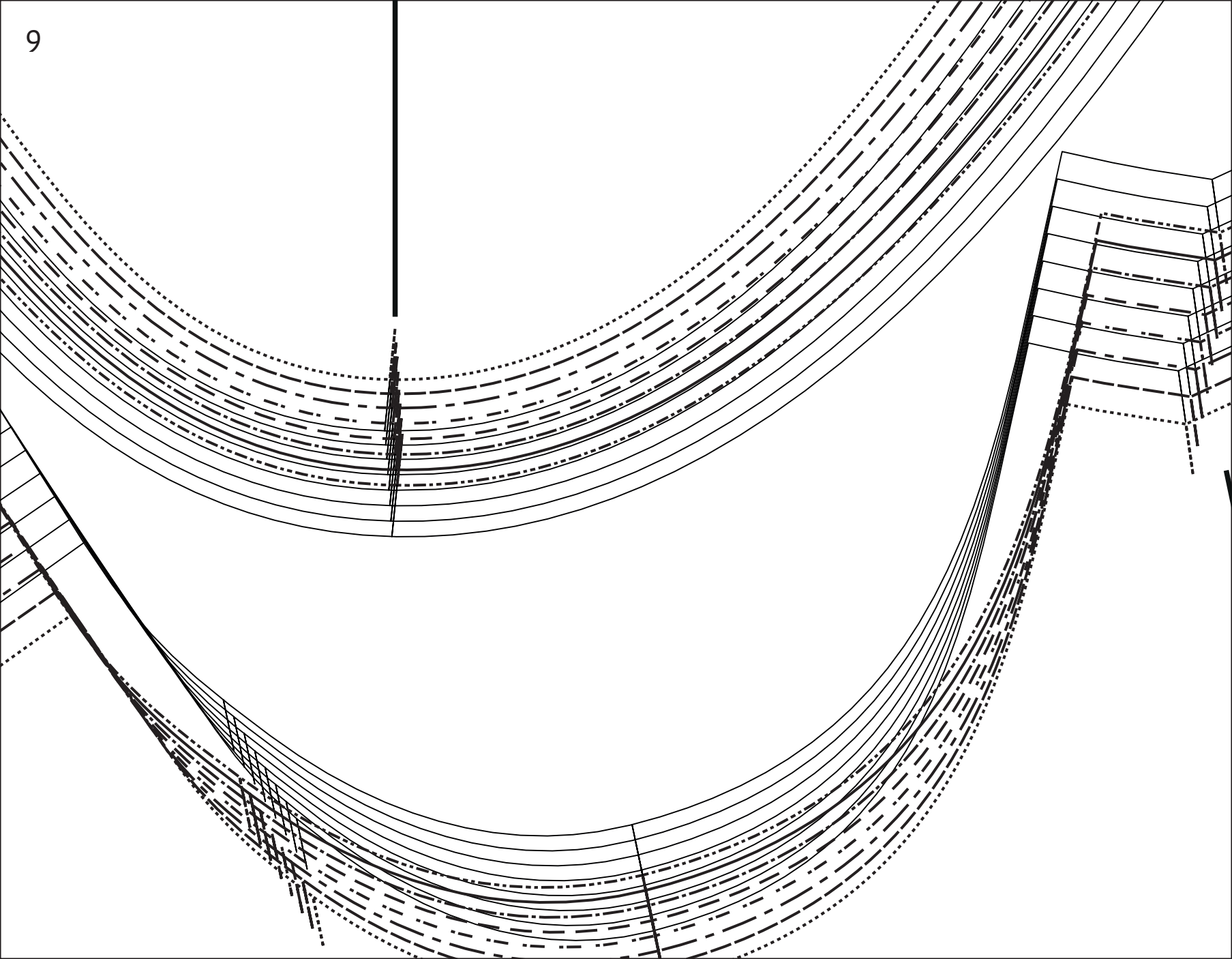
C

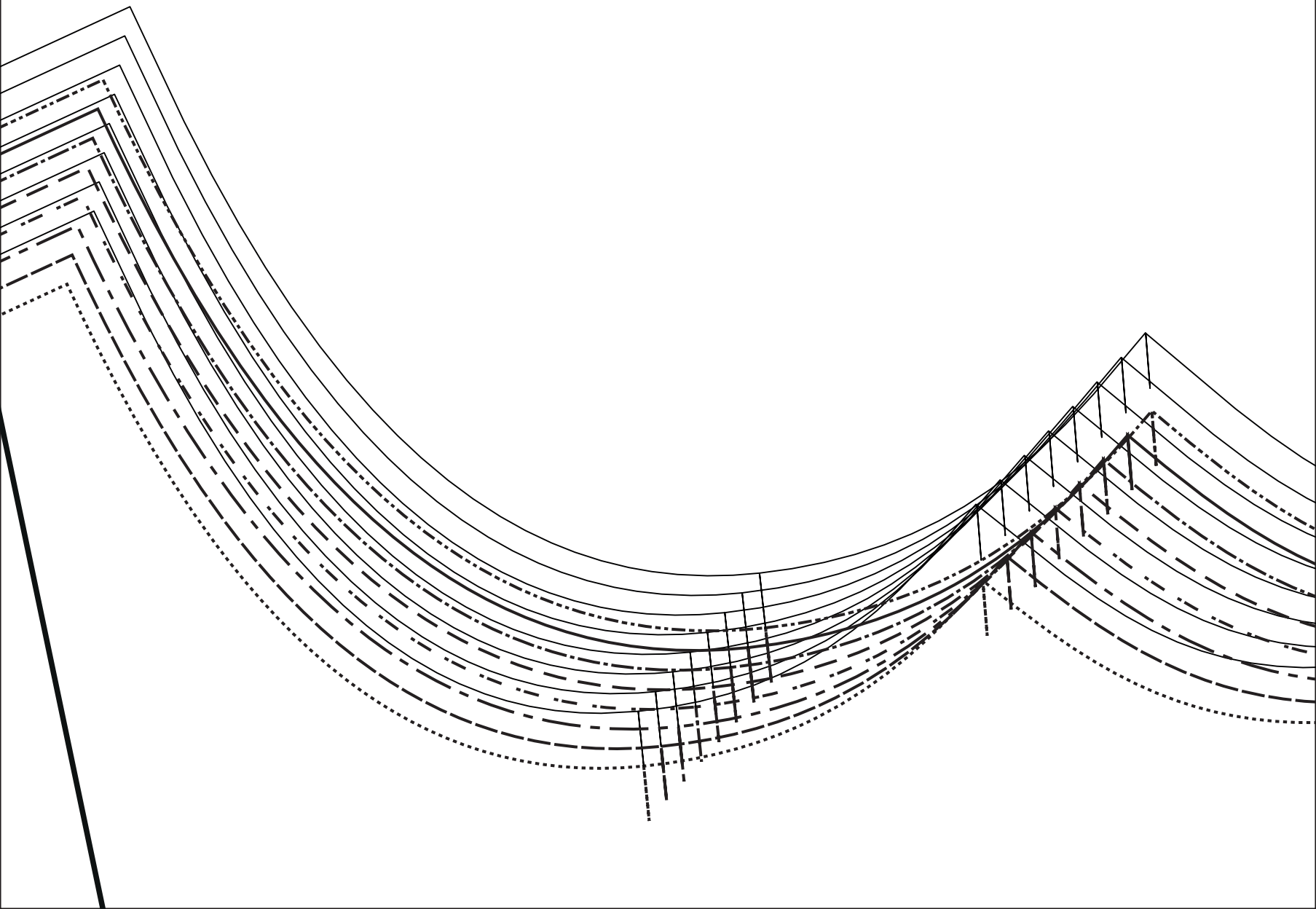


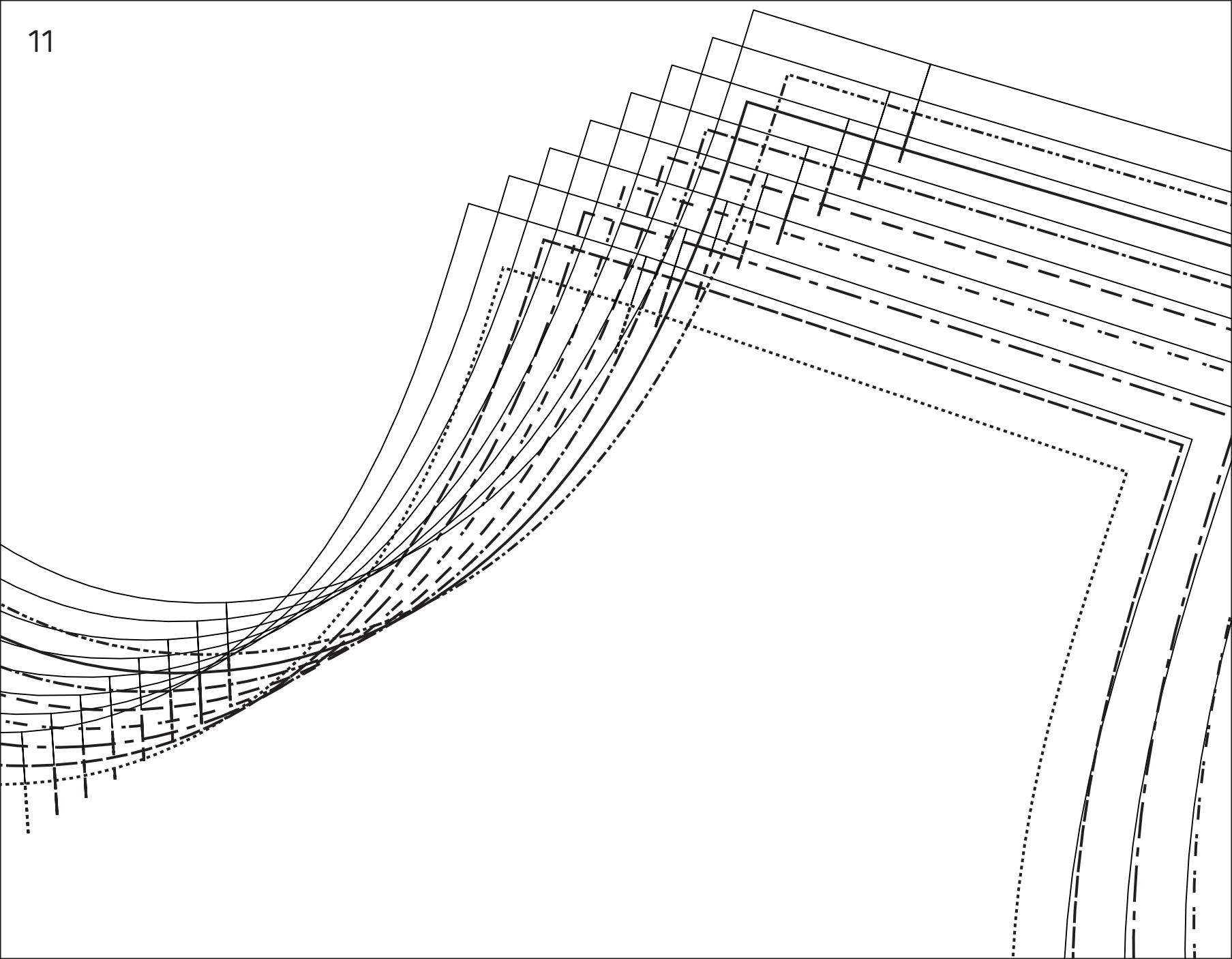


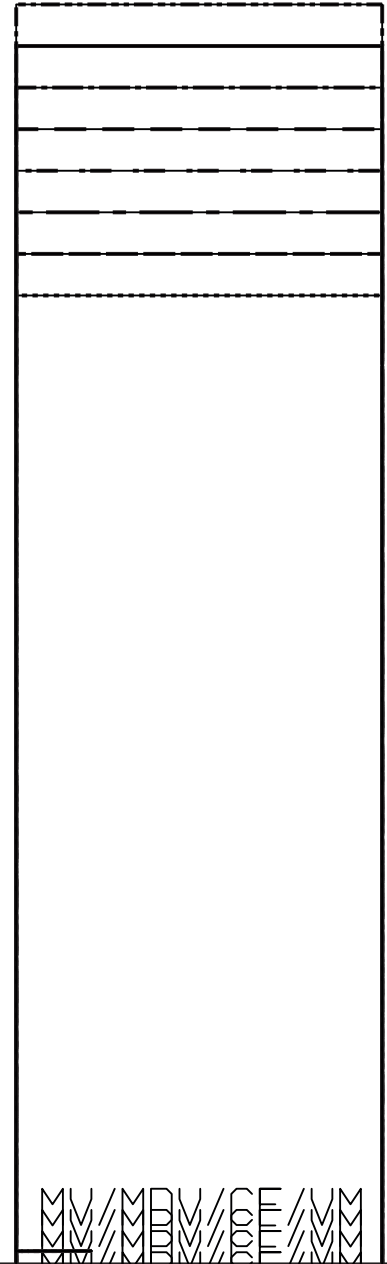
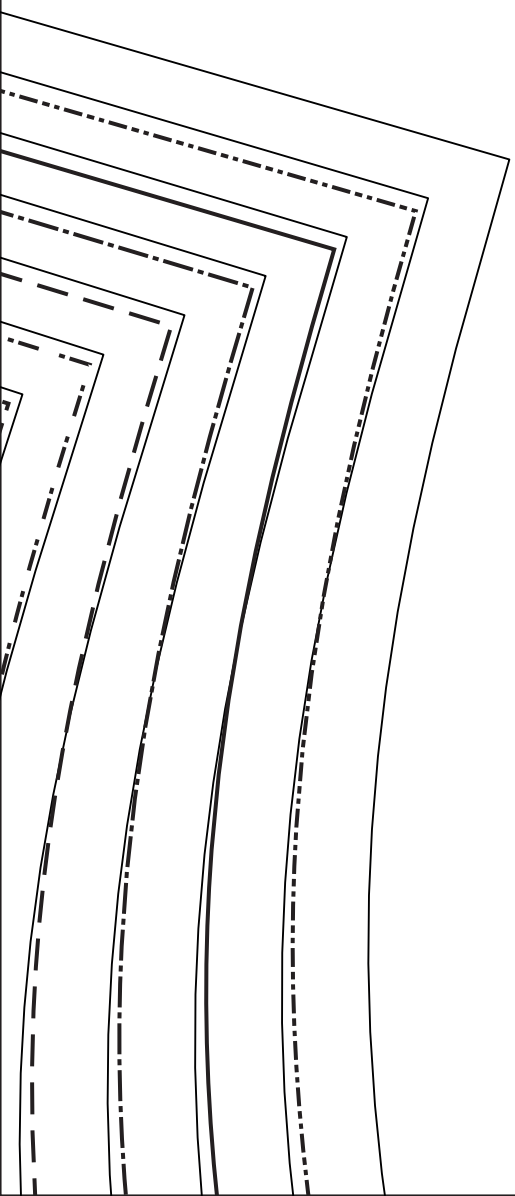


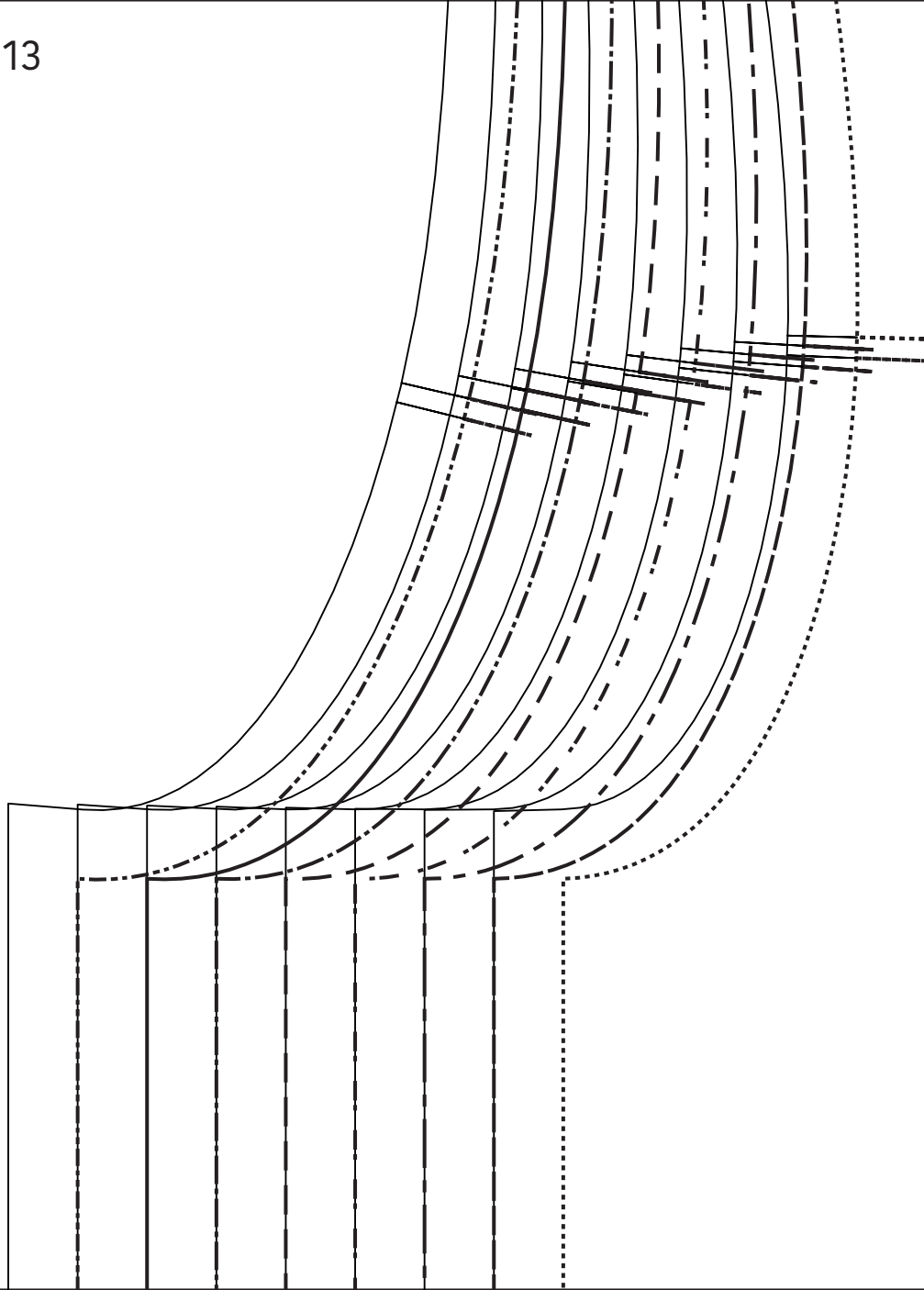


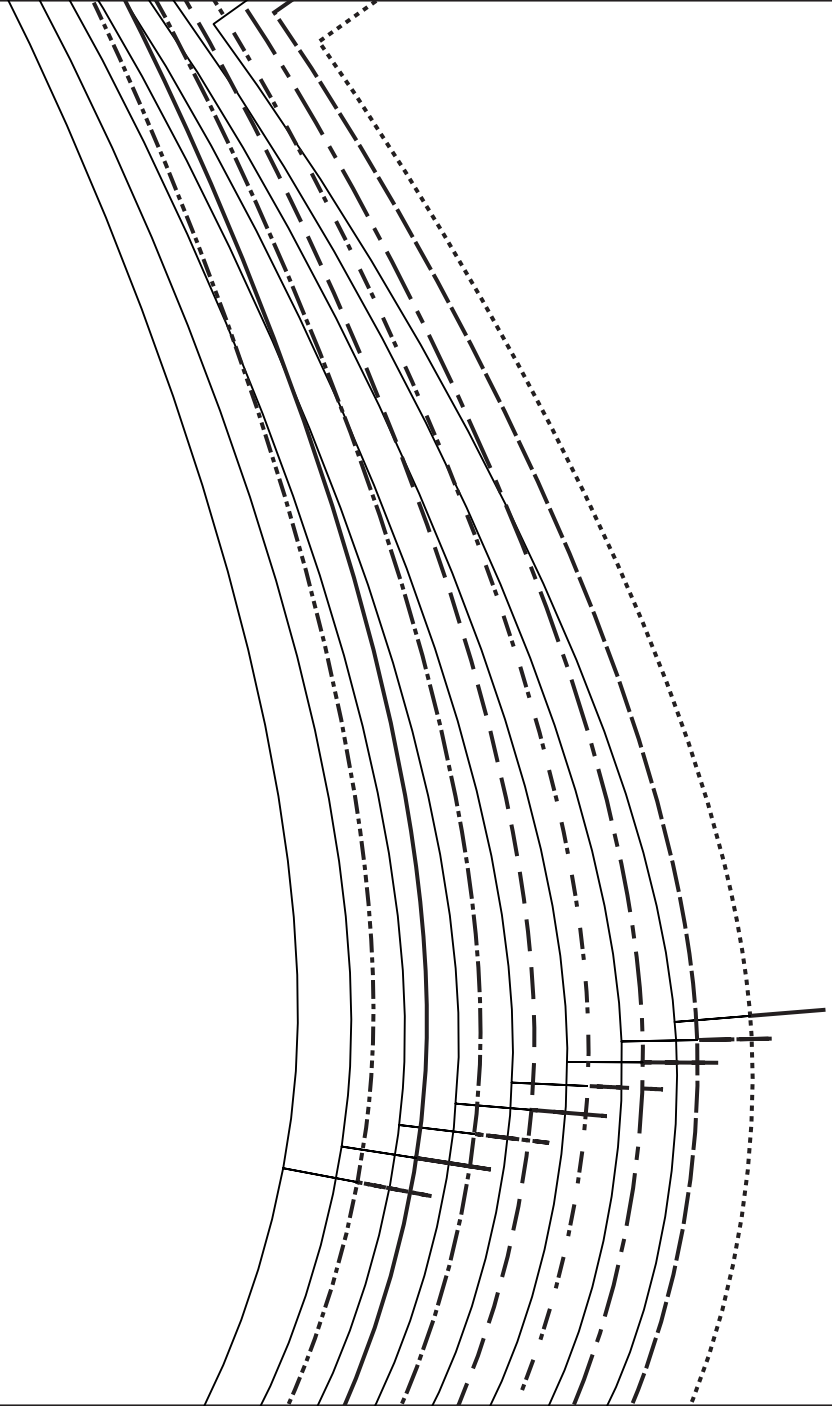






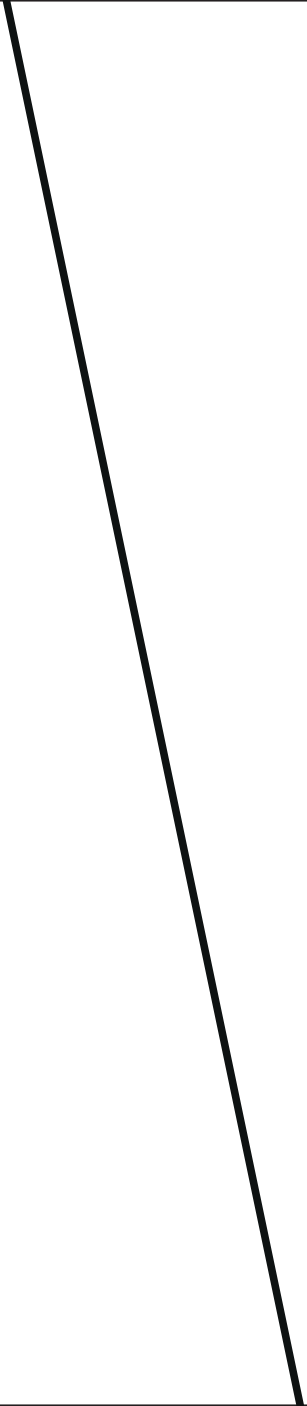


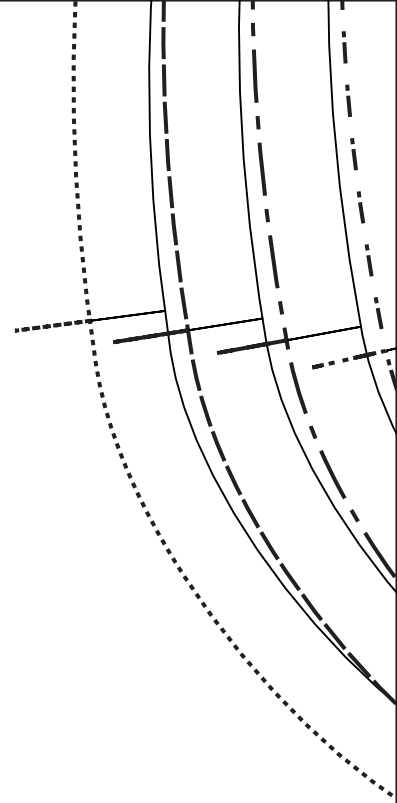


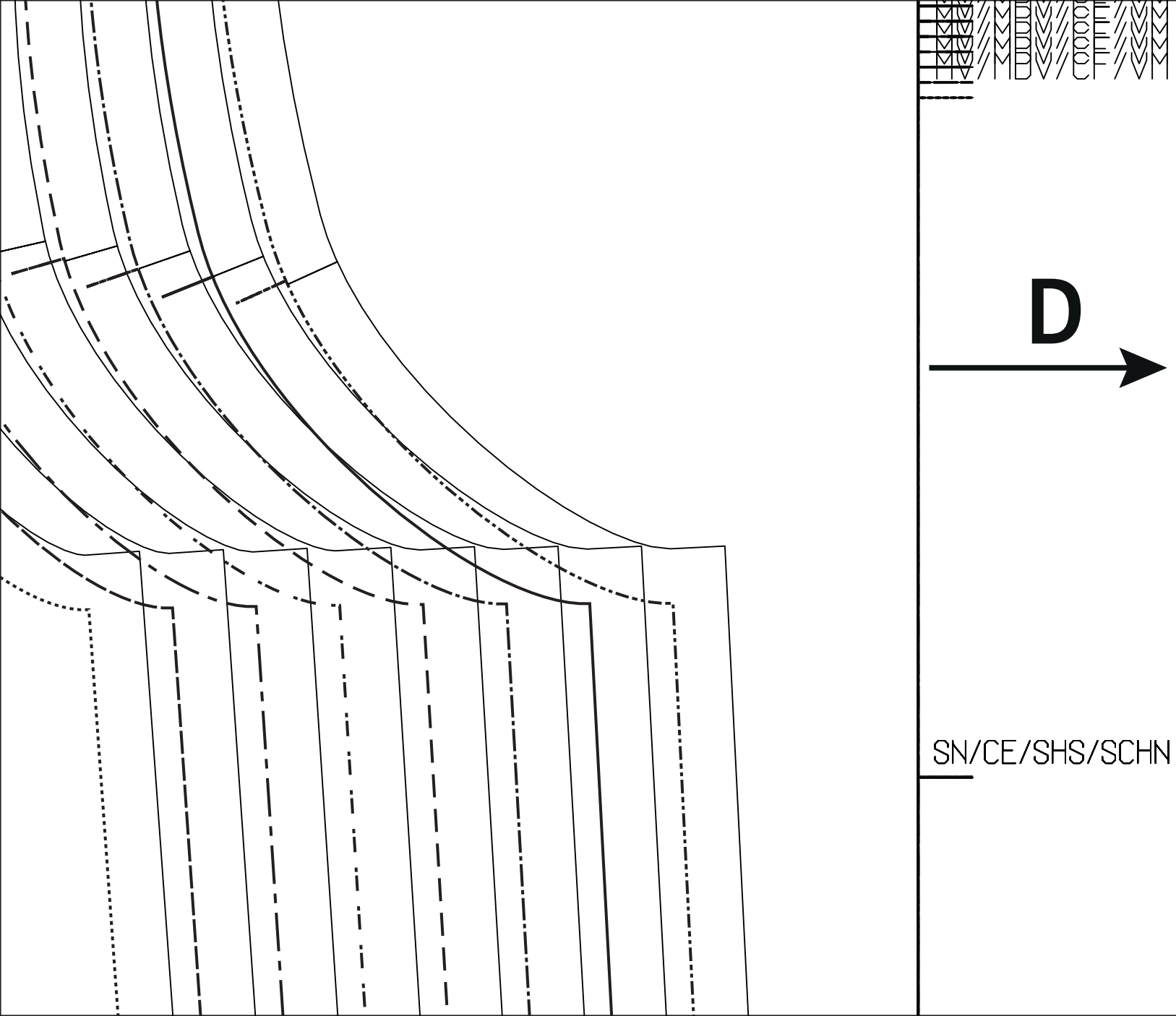




16





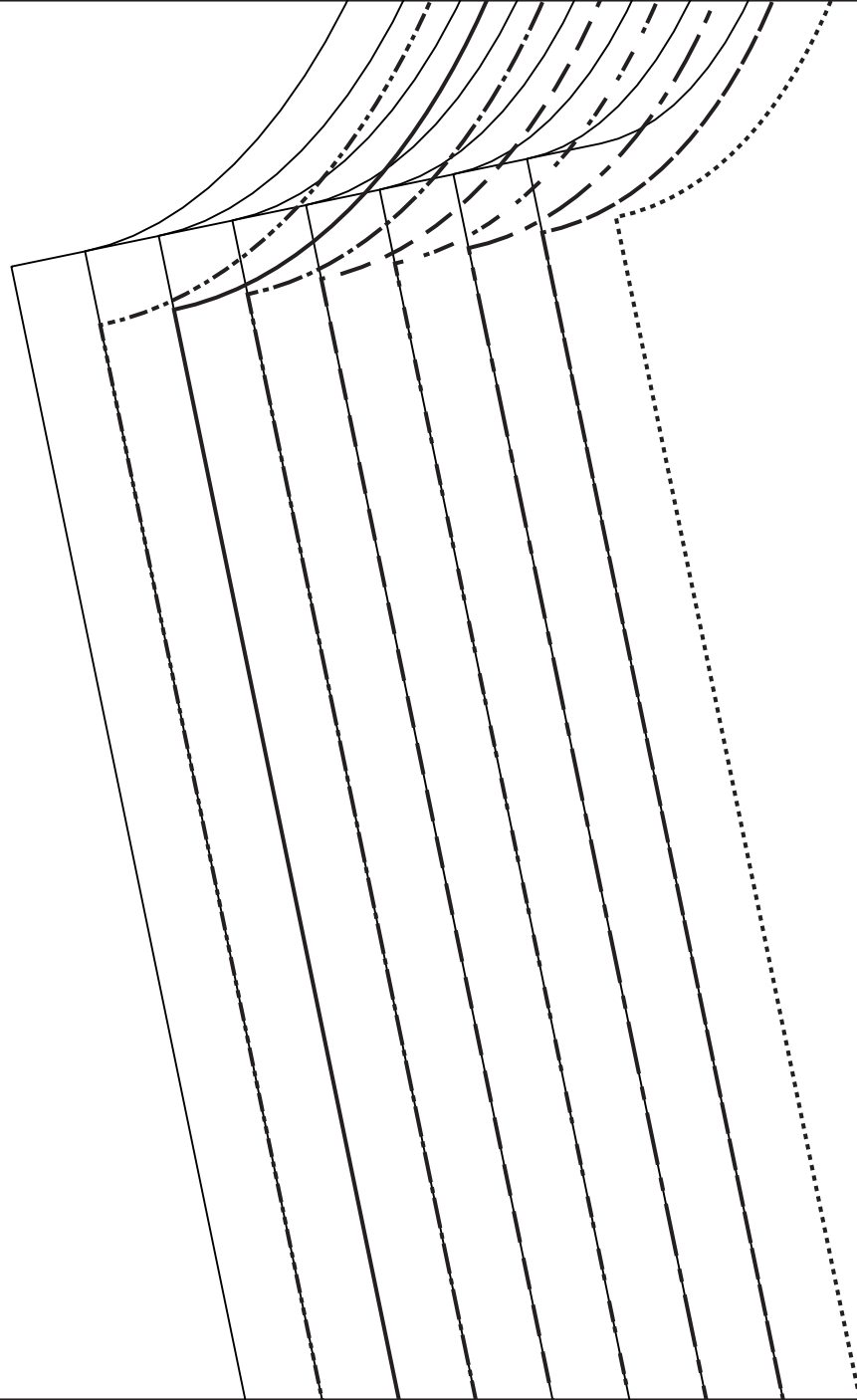


SN/CE/SHS/SCHN

B

Handwriting practice lines for the letter B. The page features a series of vertical lines: a solid left margin line, followed by a solid line, a dashed line, a solid line, a solid line, a solid line, and a dotted line. The area to the right of the dotted line is blank for writing practice.

MR/MDS/CB/RN





A

